

## **Installation & Operations Manual Armory R1 Rack- RZR 1000**

Patent Pending



### **Installation information:**

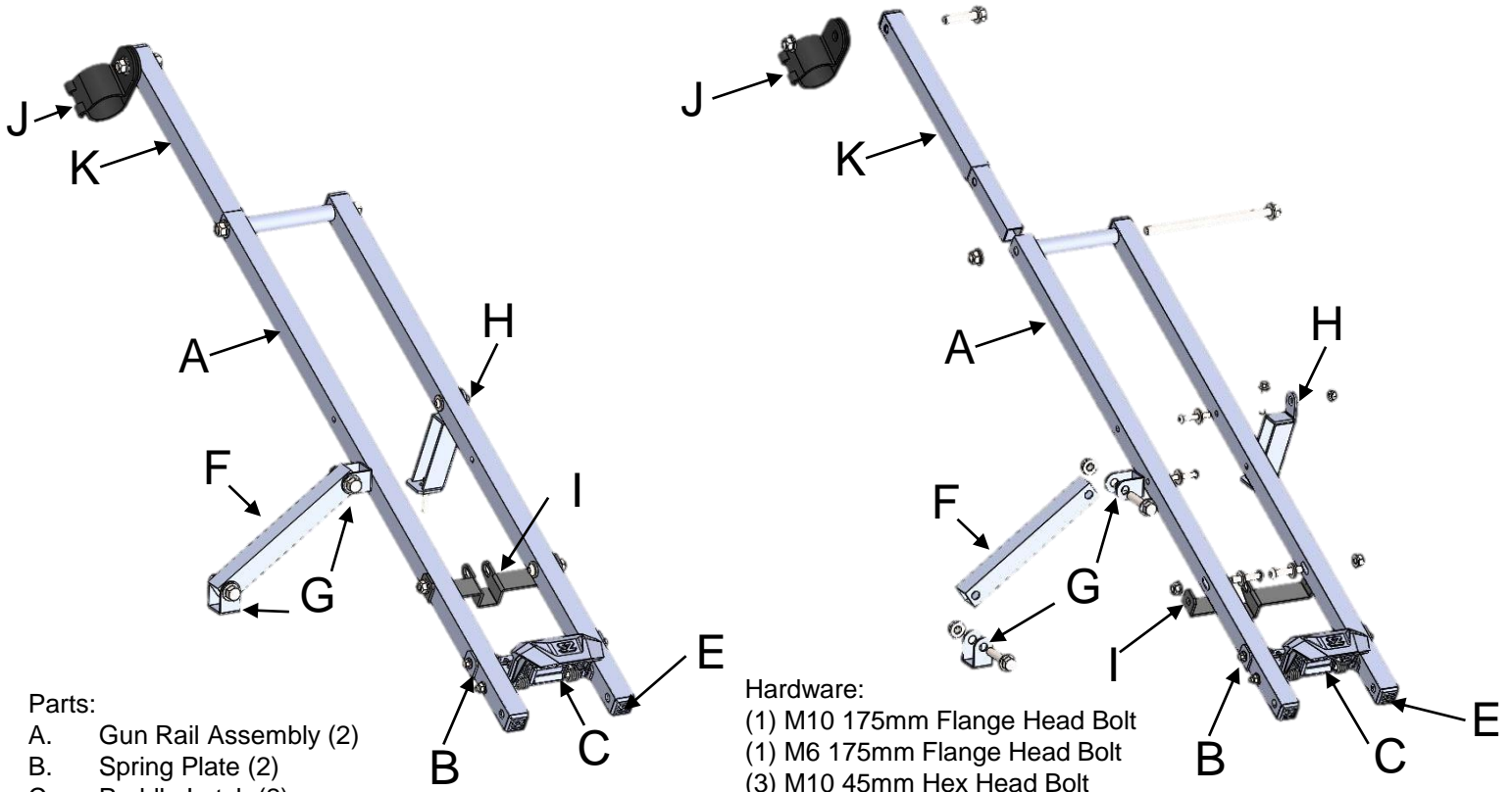
- This product has an installation rating of: **Easy**
- Approximate installation time: **30 Minutes**
- This product is easiest to install with: **2 people**

Seizmik makes Windshields, Doors, Tops, Hood Racks, Brush Guards, and other great accessories for utility vehicles & side x sides. Our products are engineered tough for long life and tested under the harshest of conditions.

Always observe the warnings and precautions in this manual when using your Seizmik products. For best results, carefully follow the instructions in this manual and make no modifications.

Seizmik products are designed, developed and manufactured by Vialink Corp. If you have any questions, comments, need assistance, or are missing parts, please call 1-866-838-3366 between 9:00AM and 5:00PM EST. You can email us at [support@seizmik.com](mailto:support@seizmik.com)

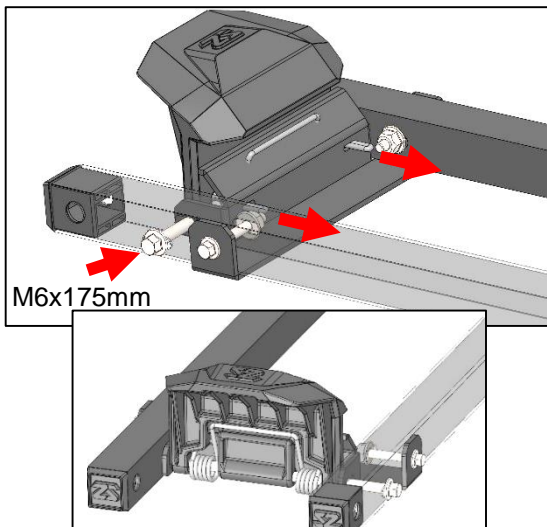
# Parts List Passenger Side Assembly Shown



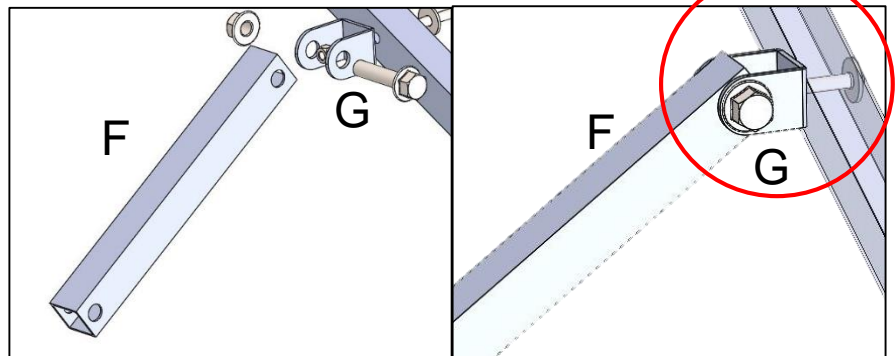
- Parts:
- A. Gun Rail Assembly (2)
  - B. Spring Plate (2)
  - C. Paddle Latch (2)
  - D. Paddle Latch Spring (2)
  - E. End Caps (4)
  - F. Inner Support (1)
  - G. Inner Support Tab (2)
  - H. Outer Support (1)
  - I. Lock Piece (1)
  - J. 1.75 inch Clamp (1)
  - K. Extension Rail (1)

- Hardware:
- (1) M10 175mm Flange Head Bolt
  - (1) M6 175mm Flange Head Bolt
  - (3) M10 45mm Hex Head Bolt
  - (2) M8 40mm Button Head Bolt
  - (2) M6 40mm Flange Head Bolt
  - (1) M6 35mm Flange Head Bolt
  - (1) M6 40mm Button Head Bolt
  - (1) M6 35mm Button Head Bolt
  - (4) M10 nylock nut
  - (2) M8 nylock nut
  - (5) M6 Flange nylock nut
  - (2) M6 washers

## R1 Rack Assembly



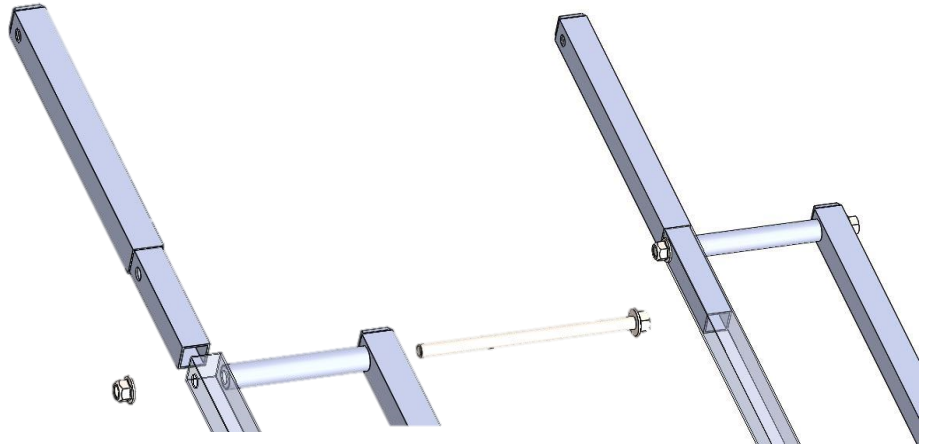
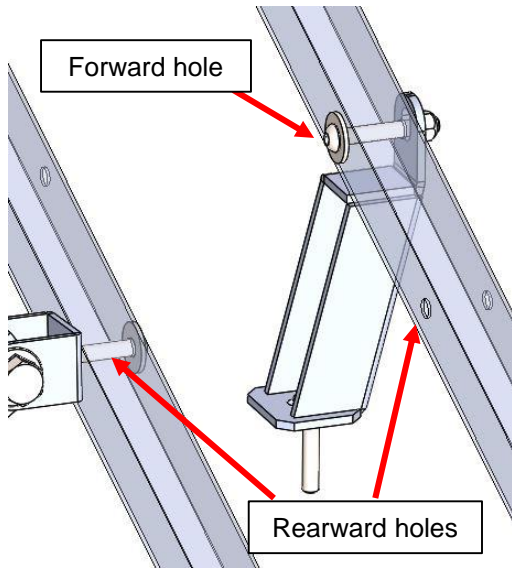
1. The Gun Rail Assembly (A) should be loosely bolted together as shown above using an M6x175mm bolt and 2 M6x35mm bolts. The Spring Plate (B) slides forward and backward to ensure every gun case fits securely in the rails. Make sure the assembly slides forward and backward easily, it will be adjusted in step 7.



2. Install Inner Support (F) onto Gun Rail Assembly (A) using the upper Inner Support Tab (G) and supplied M10x45mm bolt and lock nut. Attach Inner Support Assembly to the rearward hole on the Gun Rail Assembly (See image in step 3) using M6x35mm button head bolt and locknut. The Inner Support Tab (G) uses the rearward hole in the Gun Rail Assembly (A).



## R1 Rack Assembly



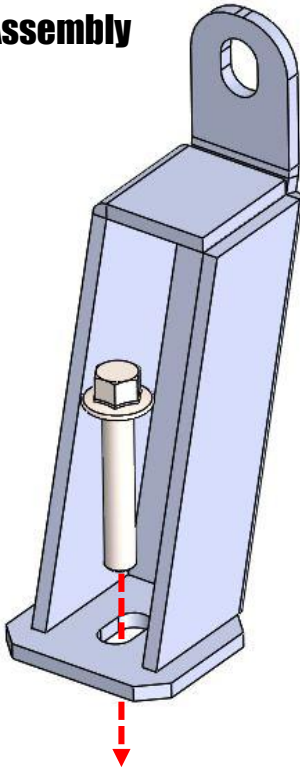
3. Next install Outer Support (H) as shown using M6x40mm button head bolt, washer, and locknut. The Outer Support (H) uses the forward hole in the Gun Rail Assembly (A).

4. Install Extension Rail (K) onto Gun Rail Assembly (A) as shown using M10x175mm flange head bolt and supplied locknut. Mount on the left side for passenger side installation, right side for driver side installation. Passenger side installation shown.

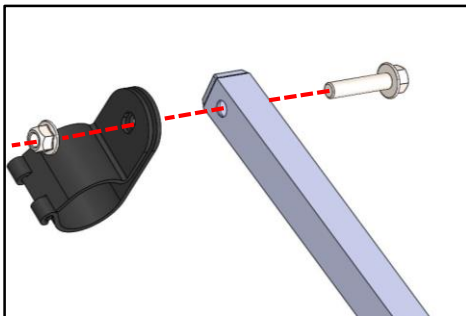


5. Once the Inner Support (F), Outer Support (H), and Extension Rail (K) are installed, it is time to position the assembly onto the vehicle. Remove the factory torx head bolt and place through the hole in the bottom of the lower Inner Support Tab (G). Reinstall torx head bolt back into the factory hole. Attach the Inner Support Tab (G) onto the lower hole of the Inner Support (F) using the supplied M10x45mm bolt and lock nut. See image above.

## R1 Rack Assembly



6. Next remove the factory torx head fastener from the recess of the bed side and install the Outer Support (H) as shown using M6x35mm flange head bolt. The Outer Support (H) sits on top of the recessed hole on the bed side so that it may be used on either the driver or passenger side of the vehicle. The rear of the R1 rack should now be supported by the bed so that the final clamp can be installed.

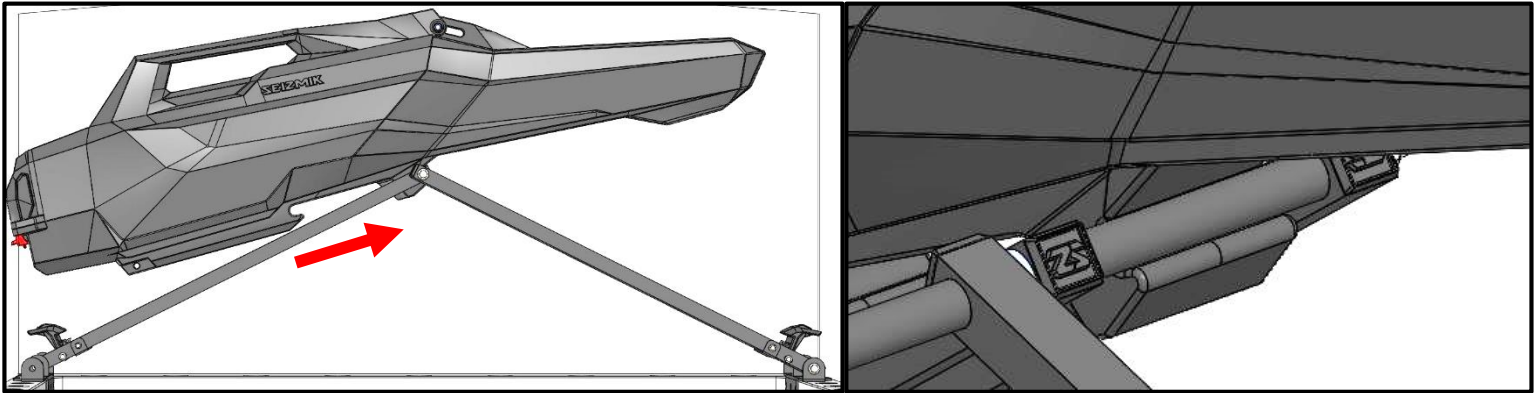


7. The 1.75" Clamp (J) can now be positioned around the rear ROPS down bar with the tab facing upwards. The clamp should be mounted about 5" above the rear shock reservoir but can be slid up or down the rear ROPS down bar to clear accessories or some aftermarket roofs. Attach 1.75" Clamp (J) to Extension Rail (K) using M10x40mm flange head bolt and lock nut. All mounting locations should be snug at this point. Do not fully tighten down until the Armory SST case has been test fit. See next page for Armory SST Case installation and adjustment.

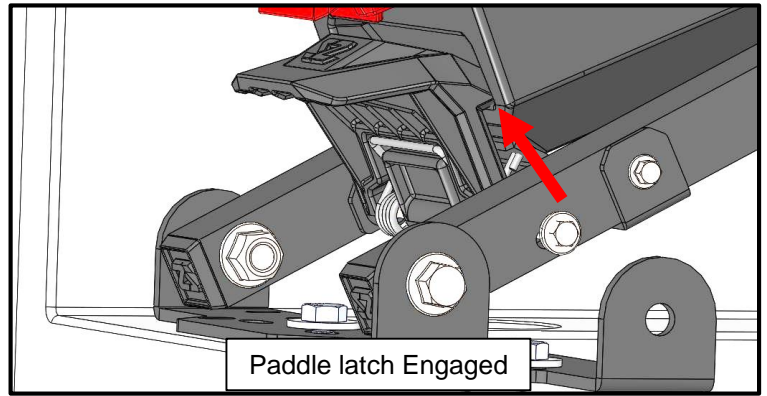
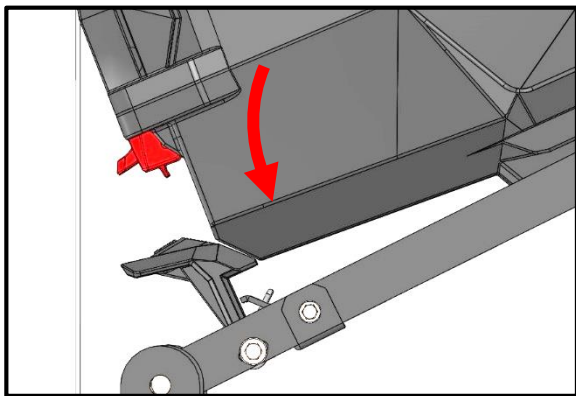


## Armory SST Installation and Adjustment

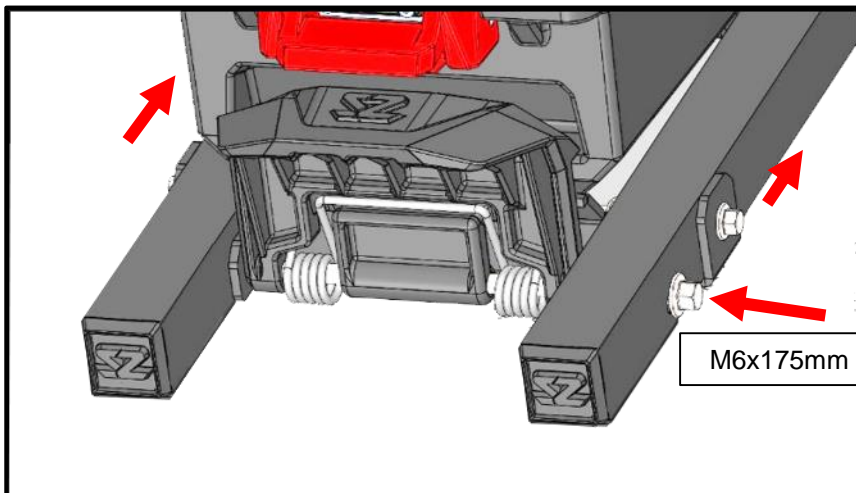
At this point, the Armory SST Gun Case must be placed in the rack and the spring plate(s) (D) must be adjusted.



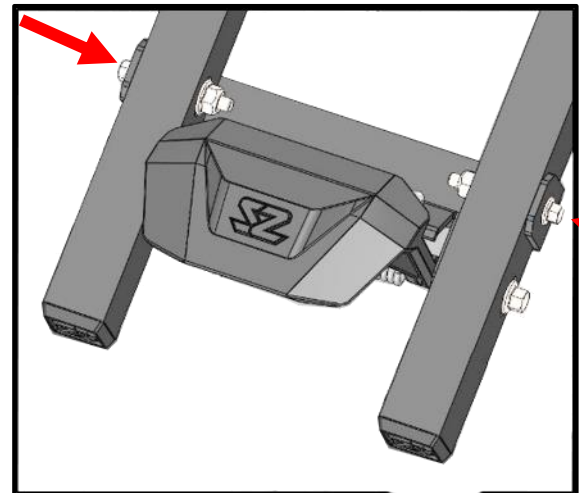
8. Using the front hook of your Armory SST Gun Case, capture the upper tubing of the Gun Rail pushing firmly to ensure full engagement.



9. While keeping the front hook engaged, pivot the rear of the Armory SST Gun Case downward and push firmly to move and snap the paddle latch (E) into place.



10. To ensure the Armory SST Gun Case is secure in the R1 Rack, push the spring plate assembly (Should still be only loosely bolted in) forward into the rear of the gun case so that the paddle latch is fully engaged and that the case does not rattle or move around. With the Spring plate assembly pushed forward, tighten down the M6x175mm Flange bolt snugly so that the spring plate does not slide away from the gun case.



11. At this point, remove the gun case from the R1 rack making sure you don't move the spring plate upon removal. With the gun case out of the rack, snug down the other 2 M6x35mm flange bolts and locking nuts. Do not over tighten. Over tightening may cause square tubing to deform.

## Final Adjustment

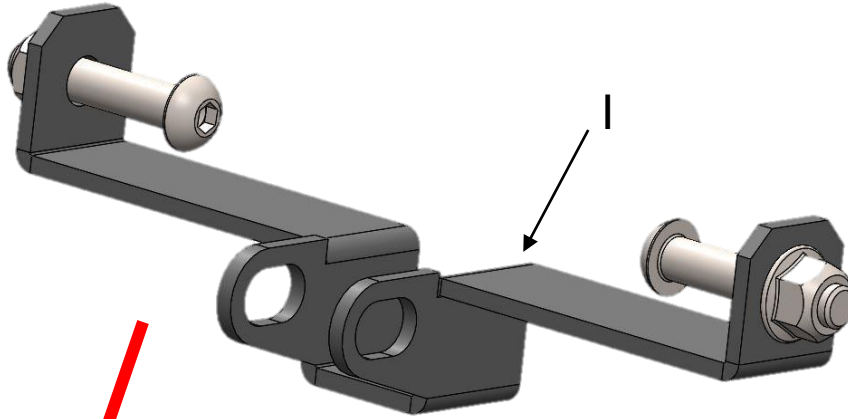
12. Once the Armory SST case has been adjusted to fit in the R1 rack, adjust mounting bolts if necessary to ensure proper fitment on the vehicle. Tighten down all mounting bolts.

**Congratulations** – You have now finished the installation of your Seizmik Armory R1 Rack.

# Appendix A: Rack Lock



## Parts List

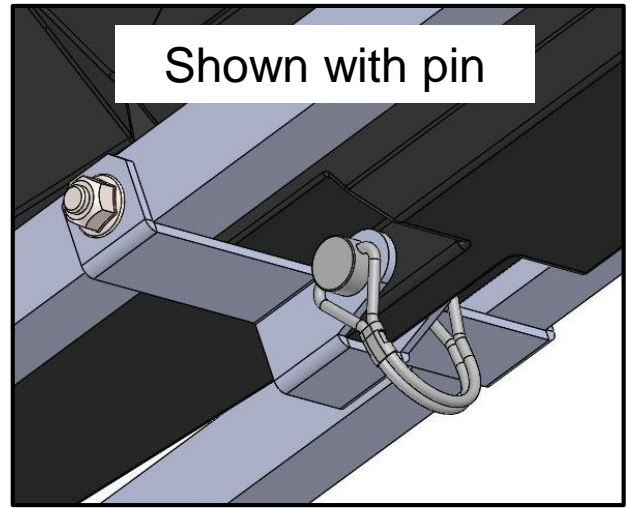
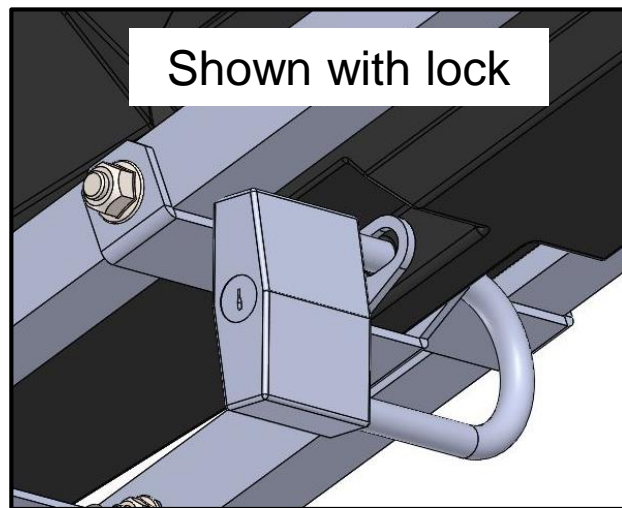
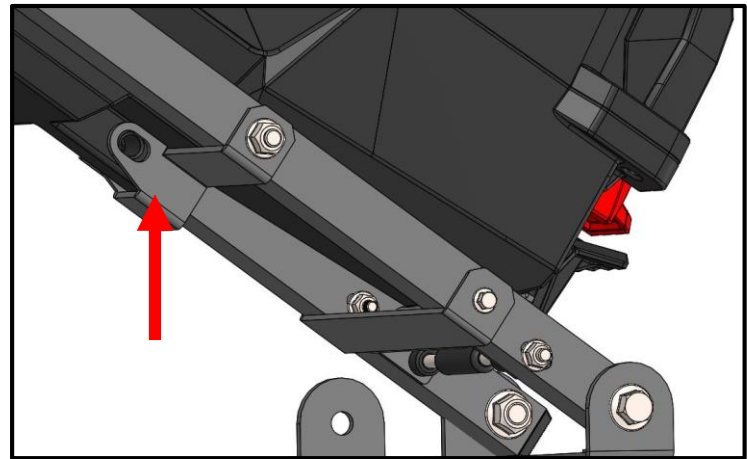
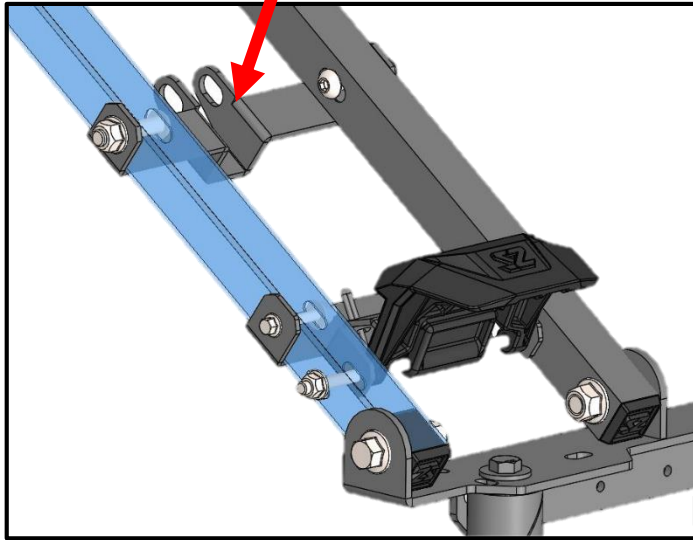


Parts:

- 1. Rack Lock

Hardware:

- (2) M8 40mm Button Head Bolt
- (2) M8 Flange Head nut



The Armory Racks come with a locking bracket that you may chose to install for extra security. The rack lock bolts directly to the gun rail assembly as shown above. This lock piece allows you to insert a padlock (a simple pin may be used as well) to secure your case to the rack structure. Be sure the lock nut is on the outside of the gun rail assembly with the button head on the inside. This will ensure your Armory SST case will still slide smoothly into the rack.

**How to get Help** - If you have any questions, comments, need assistance, or are missing parts, please call 1-866-838-3366 between 9:00AM and 5:00PM EST. You can email us at [support@seizmik.com](mailto:support@seizmik.com), visit [www.seizmik.com](http://www.seizmik.com) to download installation guides and product info, or contact your powersports dealer where you purchased your Seizmik product if you need additional assistance.