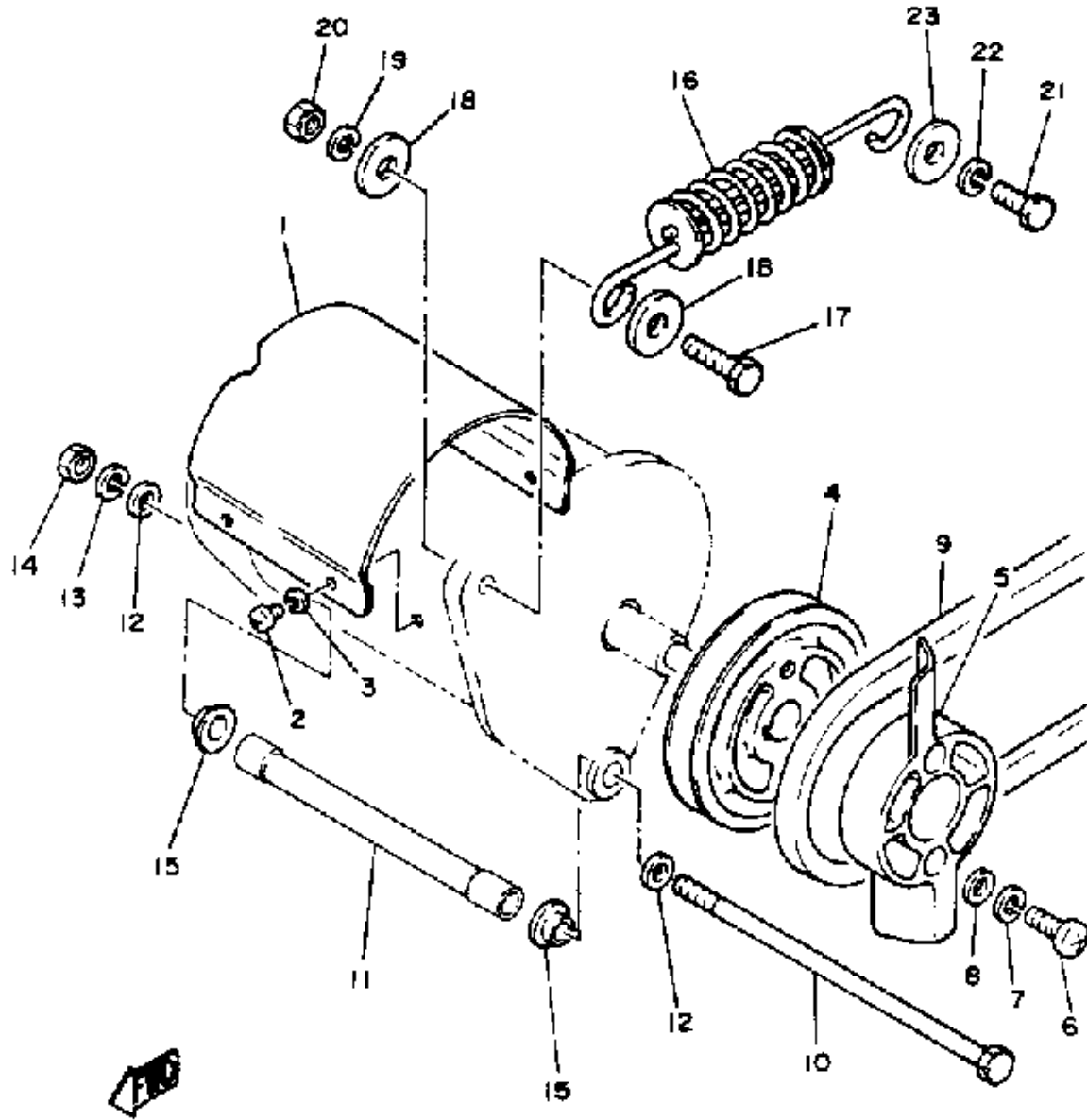


# STARTER PULLEY



| Ref. No. | Part Number     | Description              | Qty | Remarks |
|----------|-----------------|--------------------------|-----|---------|
| 1        | J17-87183-00-00 | INSULATOR, GEN .....     | 1   |         |
| 2        | 98580-05010-00  | SCREW, PAN HEAD .....    | 4   |         |
| 3        | 92990-05100-00  | WASHER, SPRING .....     | 4   |         |
| 4        | J10-81161-01-00 | PULLEY .....             | 1   |         |
| 5        | J10-87172-00-00 | FAN, GENERATOR .....     | 1   |         |
| 6        | 98580-06020-00  | SCREW .....              | 2   |         |
| 7        | 92995-06100-00  | WASHER, SPRING .....     | 2   |         |
| 8        | 92901-06600-00  | . WASHER .....           | 2   |         |
| 9        | J10-81173-00-XX | BELT .....               | 1   |         |
| 10       | 90105-08326-00  | BOLT, WASHER BASED ..... | 1   |         |
| 11       | 90387-08683-00  | COLLAR .....             | 1   |         |
|          | J10-21647-00-00 | BAND 0 1 .....           | 1   | 877~    |
| 12       | 92990-08200-00  | WASHER, PLAIN .....      | 2   |         |
| 13       | 92990-08100-00  | WASHER .....             | 2   |         |
| 14       | 95333-08600-00  | . NUT .....              | 1   |         |
| 15       | 90387-08687-00  | COLLAR .....             | 2   |         |
| 16       | J10-81170-00-00 | TENSIONER ASSEMBLY ..... | 1   |         |
| 17       | 97313-08030-00  | BOLT, HEXAGON .....      | 1   |         |
| 18       | 90201-08107-00  | WASHER, PLATE .....      | 2   |         |
| 19       | 92990-08100-00  | WASHER .....             | 1   |         |
| 20       | 95333-08600-00  | NUT .....                | 1   |         |
| 21       | 97313-08020-00  | BOLT, HEXAGON .....      | 1   |         |
| 22       | 92990-08100-00  | WASHER .....             | 1   |         |
| 23       | 90201-08107-00  | WASHER, PLATE .....      | 1   |         |

