



16-021  
**6 INCH  
SPINDLE LIFT KIT**  
WILL FIT E-Z-GO® TXT®  
INSTALLATION INSTRUCTIONS

**INCLUDED:**



2 Spindles



2 Rear Lift Blocks



2 Rear Shock  
Mounting Plates



2 Spacers



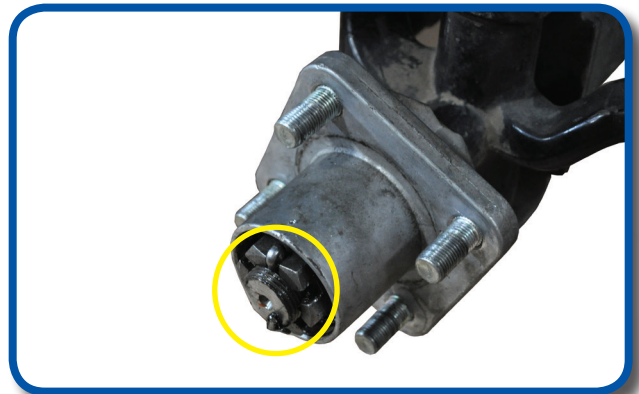
4 U-Bolts

# WARNING:

After installing this lift kit, the front wheels must be properly aligned. Failure to properly align the front wheels may result in decreased ability to control the Golf Cart which may result in a rollover or crash.

1

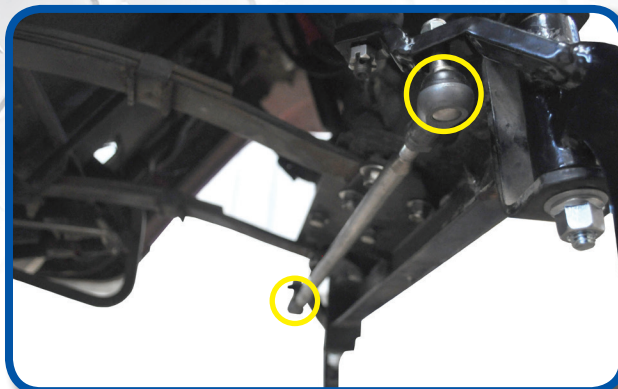
Engage parking brake and chock rear wheels. Raise Golf Cart with lift and use jack stands. Using 19mm socket remove front wheels and dustcaps. Now remove cotter pin, castle nut and hub. Retain hardware.



Disconnect steering tie rod by removing cotter pin and castle nut (11/16" Socket)

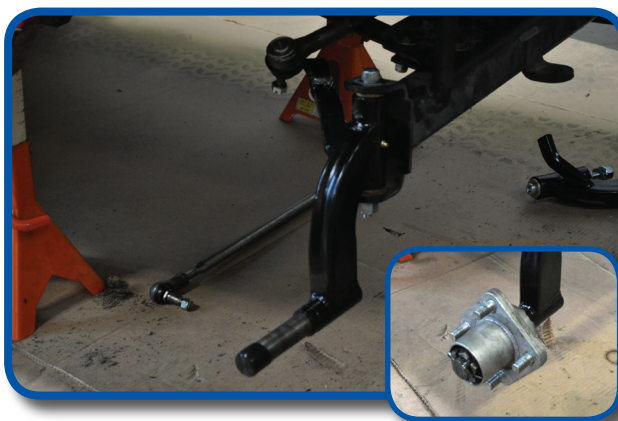
2

3  
Remove nut from tie rod on both sides of cart using 11/16 wrench and 16mm socket. Remove tie rod and retain.



4  
Using 19mm socket and wrench remove king pin and spindle. Discard.

5  
Using 19mm socket and wrench. Install Spindle as shown and attach hub. Repeat process on the other side.

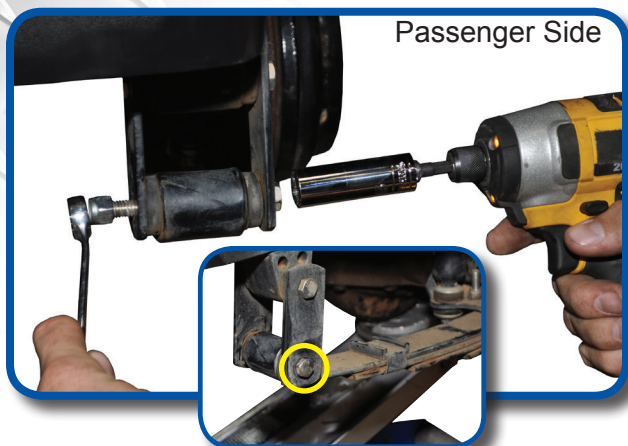
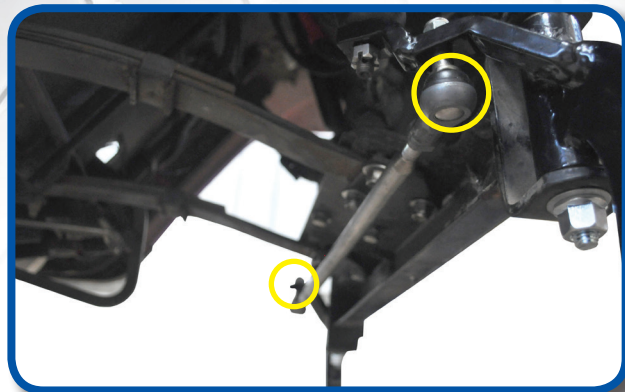


**NOTE: Grease all fittings before moving forward.**



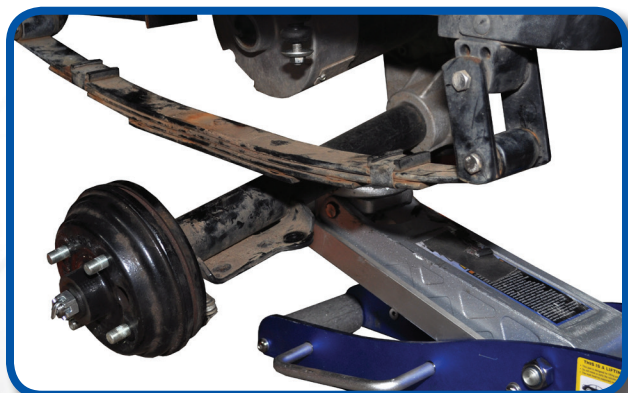
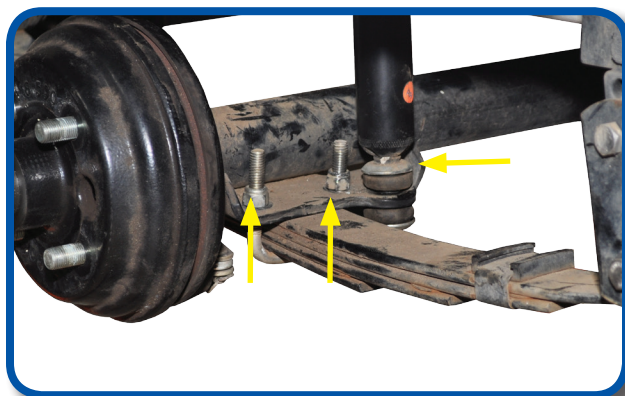
6  
Reattach steering rod from rack and pinion to spindle using 17mm socket. Tighten.

Using 11/16 wrench and 16mm socket reattach drag link tie rod ends to spindles as shown. Tighten hardware. Install new wheels and lower cart.



Move to driver's side of cart. Remove and retain the bolts from the leaf spring.

Leaving jack in place to support motor and axle assembly, remove the spring and U-bolts on the driver side.



Once hardware has been removed, lower axle and re-install factory spring above axle as shown using retained factory hardware.

11  
Once hardware has been removed, lower axle and then place factory spring above axle as shown and reinstall using new longer shackle brackets and retained hardware.



12  
For carts with three or four leaf springs, only install rear block as shown. The nut on the bottom of the factory spring should align with the alignment hole on the rear block.

13  
For carts with two leaf springs or less, install spacer on rear block as shown.



14  
Using supplied hardware, attach U-bolts to rear shock mounting plate and reinstall spring as shown. Be sure to use shock extenders and new bushing when re-installing shocks. Repeat Steps 11-14 on passenger's side.

# ALIGNMENT INSTRUCTIONS

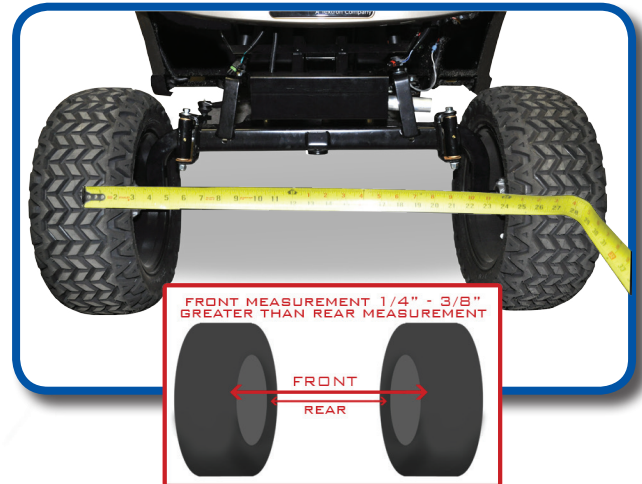
## WARNING:

After installing this lift kit, the front wheels must be properly aligned. Failure to properly align the front wheels may result in decreased ability to control the Golf Cart which may result in a rollover or crash.

**IMPORTANT:** The Toe must be adjusted on this model.

Once installation is complete and the wheels have been reinstalled, roll the cart forward 15-20 feet.

Ensure the wheels are pointing straight forward. To adjust Toe, find a common point to measure from on the inside front and inside rear of the front tires. Adjust until the front measurement is 1/4" to 3/8" greater than the rear measurement.



To adjust toe-in/toe-out, loosen nut on tie rod end. Adjust using a 3/4 wrench to desired alignment.

**IMPORTANT:** Ensure that after this adjustment, both wheels toe out from the cart's centerline equally.

**IMPORTANT:** Be sure to retighten all adjustment points after adjustments are made.

Once tightened, roll the cart back 15-20 feet and then forward again to check.



## INSTALLATION COMPLETE

VISIT [WWW.MYMADJAX.COM](http://WWW.MYMADJAX.COM) FOR MORE INSTALLATION VIDEOS

E-Z-GO®, E-Z-Go® TXT®, and E-Z-Go® RXV® are registered trademarks of Textron Innovations, Inc. ("Textron"). Reference to E-Z-Go®, TXT®, or RXV® or any of Textron's trademarks, word marks, or products is only for purposes of identifying golf carts with which this Madjax product is compatible. Madjax products are aftermarket parts and are not original equipment parts. Madjax is not connected to, affiliated with, sponsored by, or endorsed by Textron or any of its subsidiary companies.

# HARDWARE PACKS

## Pack 1

14mm Socket  
16mm Socket  
19mm Socket  
11/16 Socket  
14mm Wrench  
16mm Wrench  
19mm Wrench  
11/16 Wrench

### Madjax® 6 inch Spindle Lift Kit : Fits E-Z-Go® TXT®

