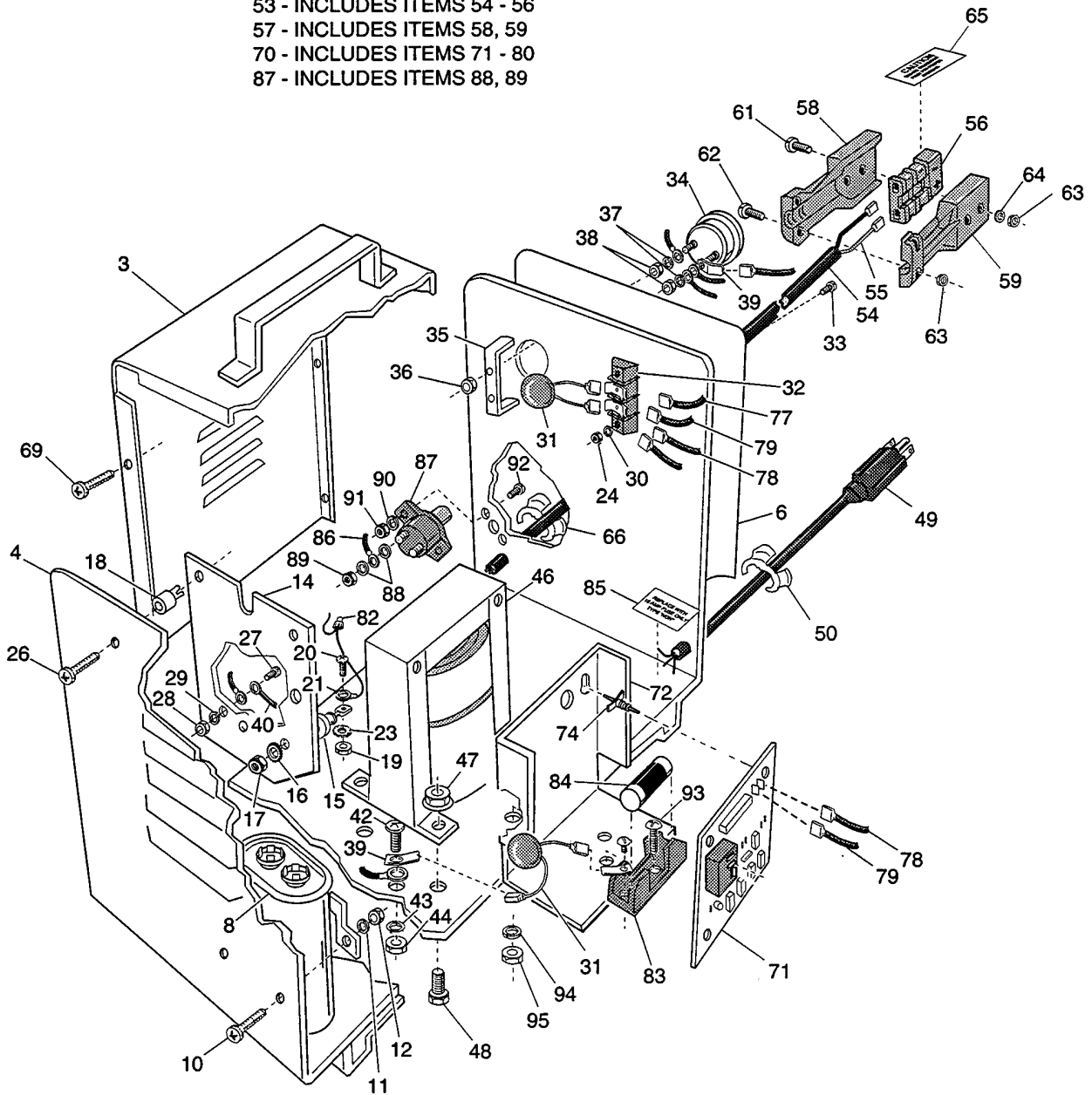
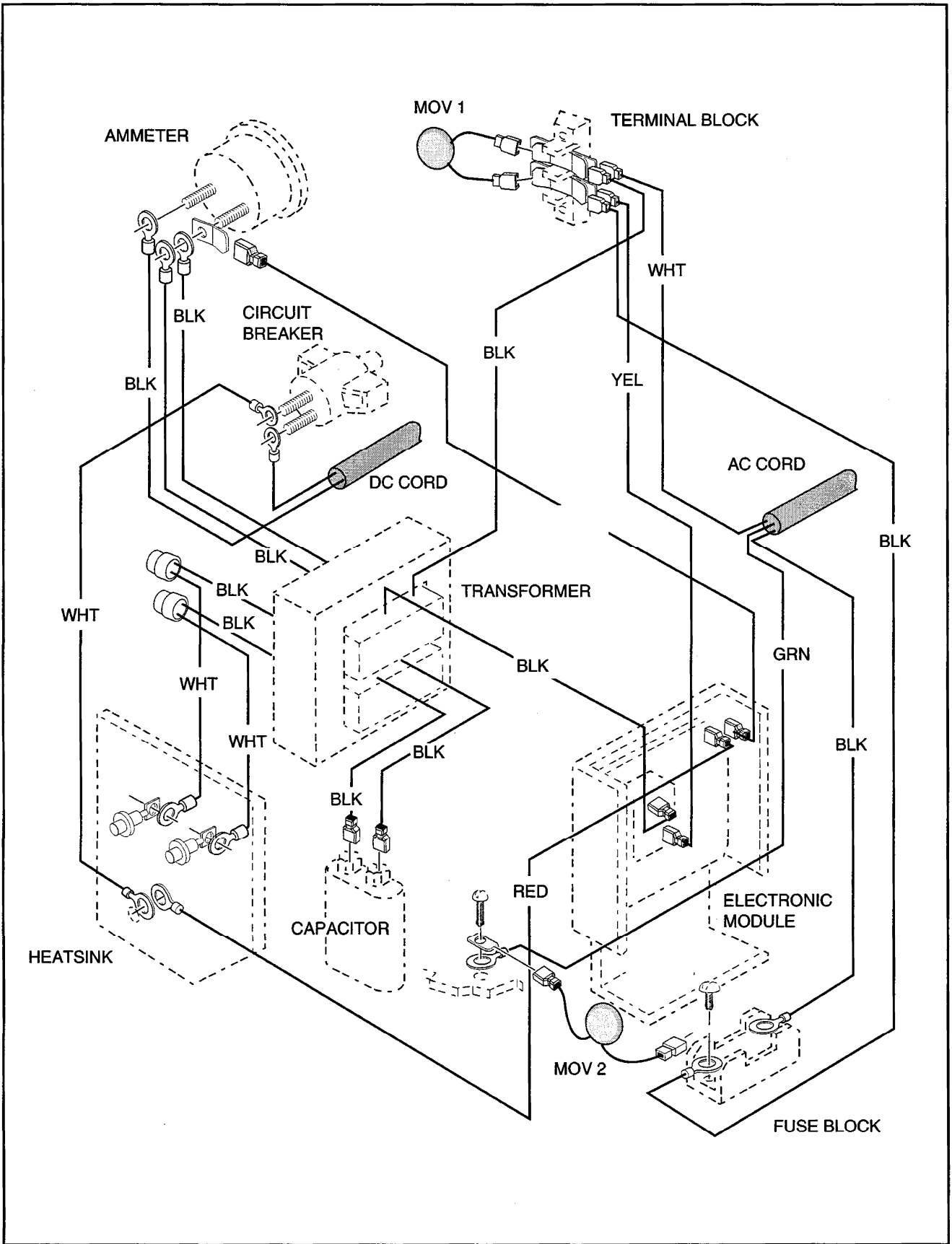


- 1 - INCLUDES ITEMS 3 - 95
- 34 - INCLUDES ITEM 35
- 53 - INCLUDES ITEMS 54 - 56
- 57 - INCLUDES ITEMS 58, 59
- 70 - INCLUDES ITEMS 71 - 80
- 87 - INCLUDES ITEMS 88, 89





BATTERY CHARGER, TOTAL CHARGE® III

Electric Vehicle

THE USE OF NON UL PARTS WILL VOID ANY UL LISTING.

When ordering parts, please specify the model and serial number of the product.

* Indicates a component that is not available as an individual part.

G** Indicates consult Customer Service Department for additional information.

ITEM	PART NO.	1	2	3	4	5	DESCRIPTION	QTY.
1	26984-G01						BATTERY CHARGER ASSEMBLY, TOTAL CHARGE® III, PORTABLE 36V, 10 FT. DC CORD (INCLUDES ITEMS 3 - 95).....	1
2								
3	19096-G1						TOP COVER.....	1
4	24919-G1						CHASSIS	1
5								
6	*						LABEL, OPERATING INSTRUCTIONS (SERIALIZED)	1
7								
8	17077-G1						CAPACITOR (WITH MOUNTING BRACKET)	1
9								
10	00372-G4						SCREW, #8 - 32 X 1/2 LG.	2
11	00565-G4						WASHER, LOCK, #8	2
12	00526-G1						NUT, #8 - 32.....	2
13								
14	18768-G1						HEATSINK	1
15	18488-G1						DIODE, SILICON RECTIFIER	2
16	00567-G7						WASHER, LOCK, 1/4	2
17	00532-G2						NUT, 1/4 - 28.....	2
18	11572-G2						NUT, PLASTIC EXPANSION	3
19	00525-G5						NUT, #6 - 32.....	2
20	00138-G3						SCREW, #6 - 32 X 3/8 LG.	2
21								
22								
23	00567-G3						WASHER, LOCK, #6	2
24	00525-G5						NUT, #6 - 32.....	2
25								
26	00512-G7						SCREW, SELF DRILL AND TAP, #8 X 7/8 LG.....	3
27	00378-G4						SCREW, #10 - 24 X 1/2 LG.	1
28	00526-G3						NUT, #10 - 24.....	1
29	00565-G5						WASHER, LOCK, #10	1

THE USE OF NON UL PARTS WILL VOID ANY UL LISTING.

When ordering parts, please specify the model and serial number of the product.

* Indicates a component that is not available as an individual part.

G** Indicates consult Customer Service Department for additional information.

ITEM	PART NO.	1	2	3	4	5	DESCRIPTION	QTY.
30	00565-G3						WASHER, #6 - 32.....	2
31	26320-G01						VARISTOR, MOV	2
32	26962-G01						TERMINAL BLOCK	1
33	00987-G06						SCREW, #6 - 32 X 3/4 LG.....	2
34	24243-G1						AMMETER (INCLUDES ITEM 35).....	1
35	*						BRACKET, AMMETER.....	1
36	00525-G5						NUT, #6 - 32.....	2
37	00565-G5						WASHER, LOCK, #10	2
38	00526-G4						NUT, #10 - 32.....	2
39								
40	19952-G1						WIRE	1
41								
42	00372-G3						SCREW, #8 - 32 X 3/8 LG.....	1
43	00565-G4						WASHER, LOCK, #8	1
44	00526-G1						NUT, #8 - 32.....	1
45								
46	19372-G8						TRANSFORMER.....	1
47	11027-G2						NUT, LOCK, 1/4 - 20.....	4
48	00414-G5						BOLT, 1/4 - 20 X 5/8 LG.....	4
49	19388-G1						AC CORD	1
50	13557-G2						STRAIN RELIEF, PLASTIC (AC CORD)	1
51								
52								
53	18747-G1						DC CORD ASSEMBLY (INCLUDES ITEMS 54 - 56)	1
54	*						DC CORD	1
55	28030-G01						CONNECTOR, CONTACT KIT	2
56	27815-G01						CONNECTOR.....	1
57	18972-G1						CHARGER RECEPTACLE HANDLE KIT (INCLUDES ITEMS 58, 59)	1
58	*						HANDLE, HALF, L.H.	1
59	*						HANDLE, HALF, R.H.....	1

BATTERY CHARGER, TOTAL CHARGE® III

Electric Vehicle

THE USE OF NON UL PARTS WILL VOID ANY UL LISTING.

When ordering parts, please specify the model and serial number of the product.

* Indicates a component that is not available as an individual part.

G** Indicates consult Customer Service Department for additional information.

ITEM	PART NO.	1	2	3	4	5	DESCRIPTION	QTY.
60								
61	00647-G8						SCREW, STAINLESS STEEL, #6 - 32 X 29/32 LG.	2
62	00647-G3						SCREW, STAINLESS STEEL, #6 - 32 X 3/8 LG.	2
63	13521-G5						NUT, LOCK, #6 - 32.....	4
64	00650-G2						WASHER, #5	2
65	20628-G1						LABEL, CAUTION.....	1
66	13557-G3						STRAIN RELIEF, PLASTIC (DC CORD)	1
67								
68								
69	00614-G4						SCREW, SELF DRILL AND TAP, #8 - 18 X 1/2 LG.....	10
70	19950-G1						ELECTRONIC MODULE ASSEMBLY (INCLUDES ITEMS 71 - 79).....	1
71	27417-G01						MODULE	1
72	19459-G1						BRACKET	1
73								
74	27877-G01						SPACER, SUPPORT.....	4
75								
76								
77	32519-G01						WIRE	1
78	19949-G1						WIRE	1
79	19954-G1						WIRE	1
80								
81								
82	19360-G1						SPLICE, WIRE, CLOSED END	2
83	19363-G1						FUSE BLOCK	1
84	19361-G1						FUSE, 15 AMP.....	1
85	19434-G1						LABEL, IDENTIFICATION	1
86	19441-G1						WIRE.....	1
87	19362-G1						CIRCUIT BREAKER, 50 AMP (INCLUDES ITEMS 88, 89)	2
88	00559-G5						WASHER, #10.....	4
89	00526-G4						NUT, #10 - 32	2

THE USE OF NON UL PARTS WILL VOID ANY UL LISTING.

When ordering parts, please specify the model and serial number of the product.

* Indicates a component that is not available as an individual part.

G** Indicates consult Customer Service Department for additional information.

ITEM	PART NO.	1	2	3	4	5	DESCRIPTION	QTY.
90	00565-G4						WASHER, LOCK, #8	2
91	00526-G1						NUT, #8 - 32.....	2
92	00372-G6						SCREW, #8 - 32 X 3/4 LG.	2
93	00372-G5						SCREW, #8 - 32 X 5/8 LG.	2
94	00565-G4						WASHER, #8	2
95	00526-G1						NUT, #8 - 32.....	2