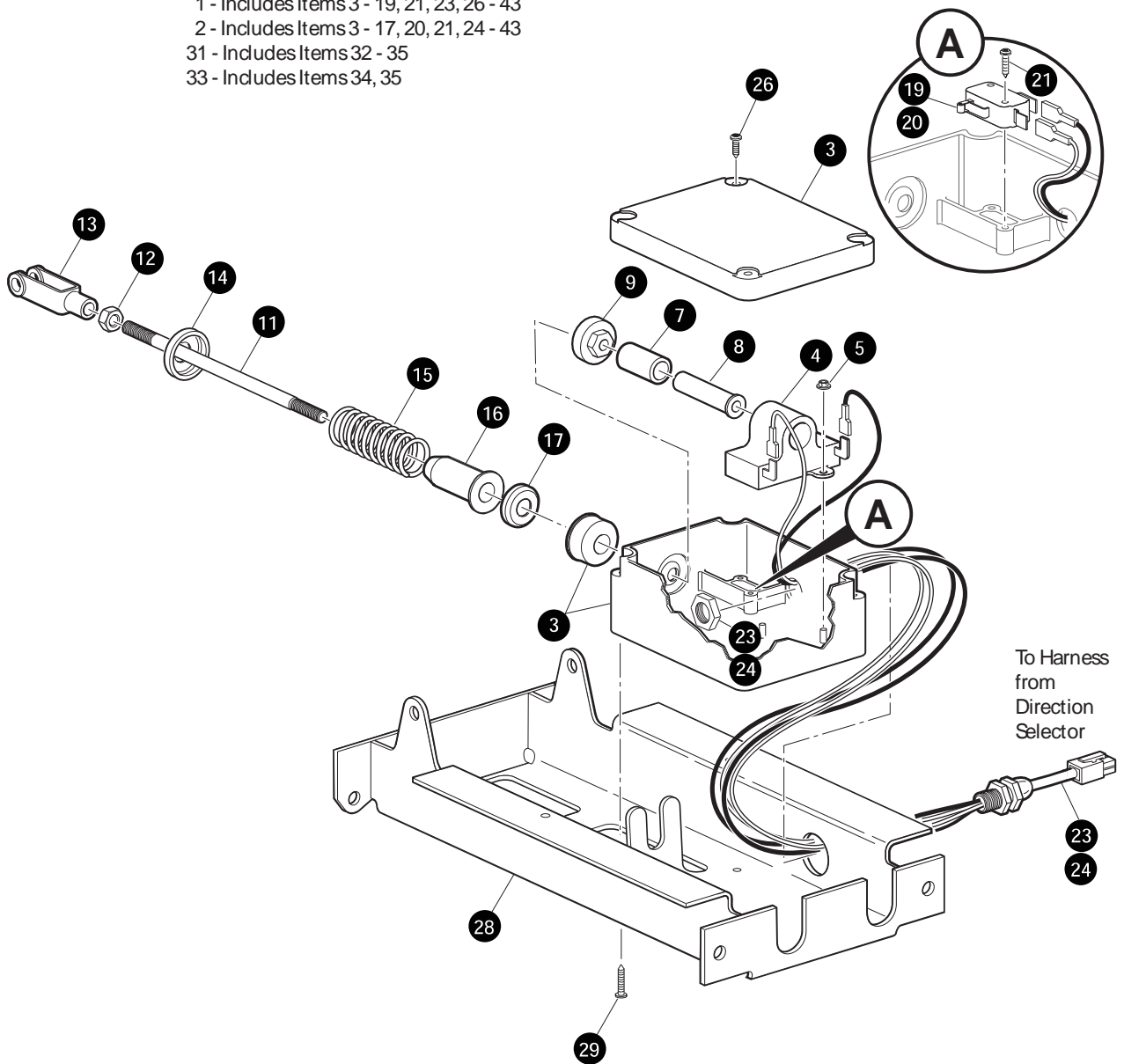
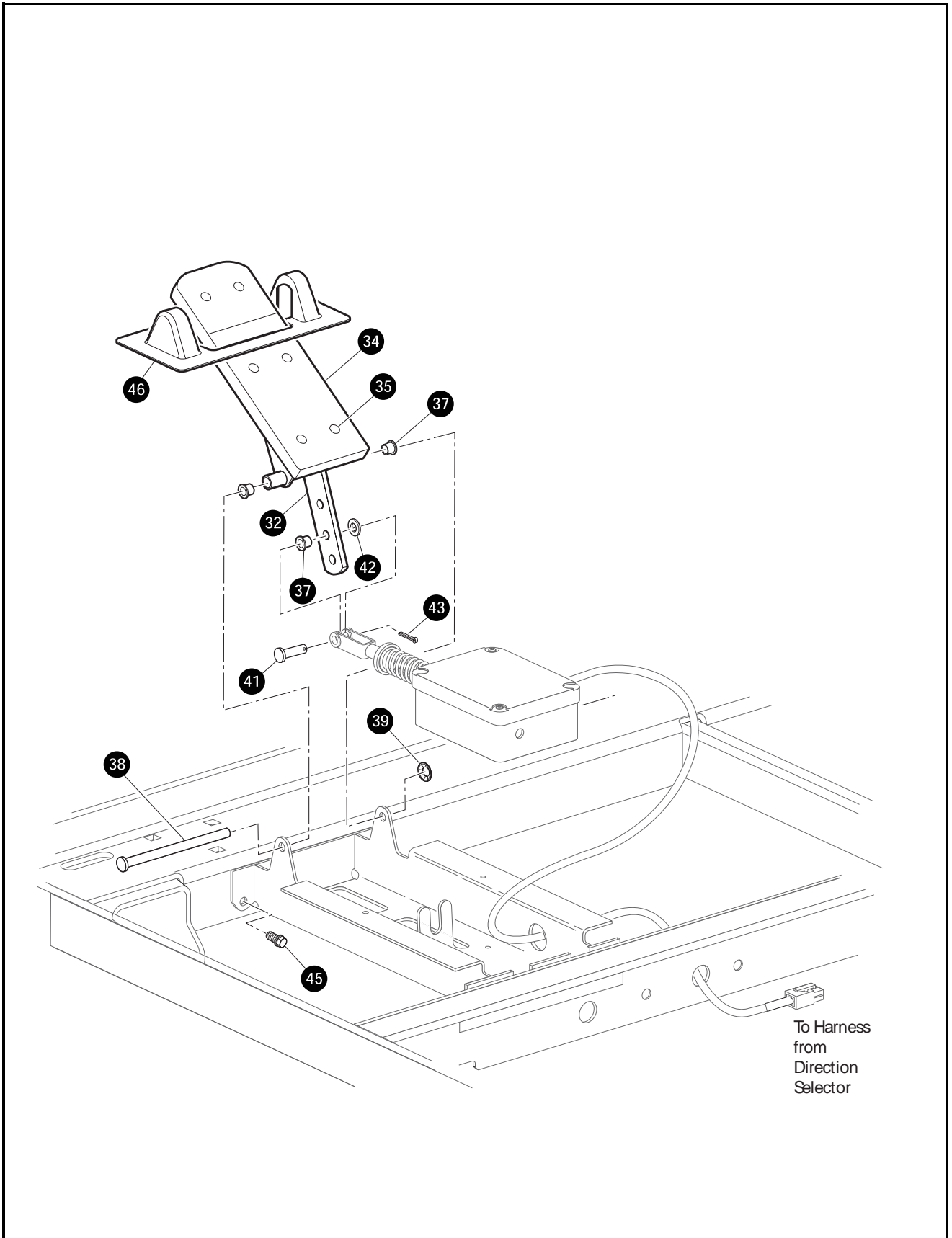


ACCELERATOR

- 1 - Includes Items 3 - 19, 21, 23, 26 - 43
- 2 - Includes Items 3 - 17, 20, 21, 24 - 43
- 31 - Includes Items 32 - 35
- 33 - Includes Items 34, 35





ACCELERATOR

Where applicable, THE USE OF NON UL PARTS WILL VOID ANY UL LISTING.

When ordering parts, please specify the model and serial number of the product.

* Indicates a component that is not available as an individual part.

G** Indicates consult Customer Service Department for additional information.

ITEM	PART NO.	1 2 3 4 5	DESCRIPTION	QTY.
1	73333-G09		PEDAL BOX ASSEMBLY (INCLUDES ITEMS 3 - 19, 21, 23, 26 - 43)	1
2	73333-G10		PEDAL BOX ASSEMBLY, PDS MODEL ONLY (INCLUDES ITEMS 3 - 17, 20, 21, 24 - 43)	1
3	25853-G01		PEDAL BOX AND COVER (SEAL AND BEARING)	1
4	25854-G01		INDUCTIVE THROTTLE SENSOR	1
5	00983-G01		SELF THREADING NUT, 3/16"	2
6				
7	25857-G01		PLUNGER SLEEVE.....	1
8	28443-G01		PLUNGER.....	1
9	28444-G01		PLUNGER CAM.....	1
10				
11	73332-G01		ACCELERATOR ROD	1
12	00532-G4		NUT, 5/16 - 24.....	1
13	10385-G4		CLEVIS YOKE (ADJUSTABLE).....	1
14	17677-G2		SPRING RETAINER, 3/8"	1
15	73046-G01		COMPRESSION SPRING	1
16	17979-G1		ACCELERATOR ROD BUSHING	1
17	17677-G1		SPRING RETAINER, 1/2"	1
18				
19	25861-G01		MICRO SWITCH.....	1
20	25861-G02		MICRO SWITCH (PDS MODEL ONLY).....	1
21	01050-G01		SCREW-PLASTITE, #4 - 20 X 5/8" LG.....	2
22				
23	25879-G03		WIRING HARNESS (PEDAL BOX ASSEMBLY)	1
24	25879-G05		WIRING HARNESS (PEDAL BOX ASSEMBLY) (PDS MODEL ONLY)	1
25				
26	00684-G6		SCREW, #8 - 32 X 3/4" LG (STAINLESS STEEL).....	2
27				
28	70116-G02		ACCELERATOR PEDAL BRACKET.....	1
29	01051-G01		SCREW, #8 - 16 X 1/2" LG	4

ACCELERATOR

Where applicable, THE USE OF NON UL PARTS WILL VOID ANY UL LISTING.
 When ordering parts, please specify the model and serial number of the product.
 * Indicates a component that is not available as an individual part.
 G** Indicates consult Customer Service Department for additional information.

ITEM	PART NO.	1	2	3	4	5	DESCRIPTION	QTY.
30								
31	25799-G03						ACCELERATOR PEDAL ASSEMBLY (INCLUDES ITEMS 32 - 35).....	1
32	*						ACCELERATOR PEDAL	1
33	27844-G01						ACCELERATOR PEDAL PAD KIT (INCLUDES ITEMS 34, 35).....	1
34	27512-G01						ACCELERATOR PEDAL PAD	1
35	15766-G1						OVAL RIVET 3/16" X 7/16" LG	6
36								
37	17838-G1						NYLON BUSHING	3
38	74432-G01						PEDAL PIVOT PIN	1
39	12064-G6						PUSHNUT, 9/32" I.D.	1
40								
41	10386-G3						CLEVIS PIN, 5/16" X 13/16" LG	1
42	17255-G1						TEFLON WASHER, 5/16"	1
43	10387-G3						COTTER PIN, 3/32" X 3/4" LG	1
44								
45	00715-G2						BOLT, 5/16 - 18 X 4/5" LG	4
46	70135-G01						PEDAL PIVOT COVER	1