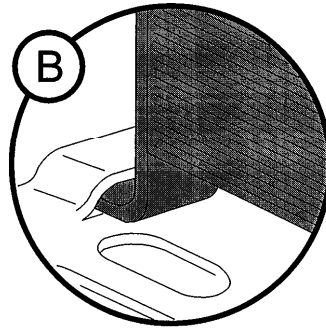
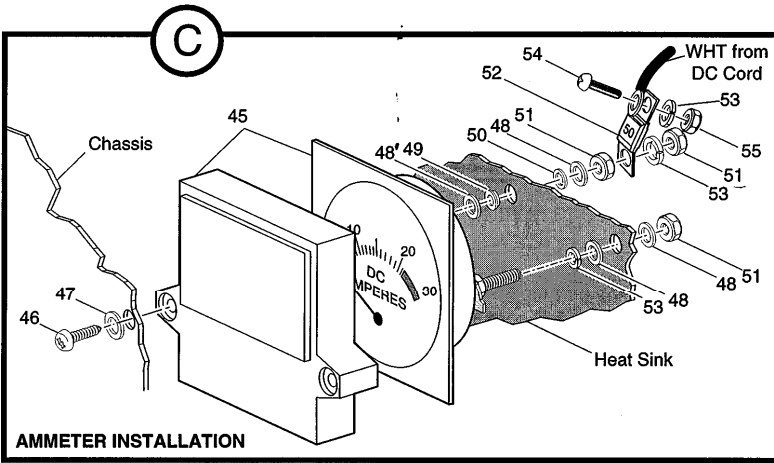


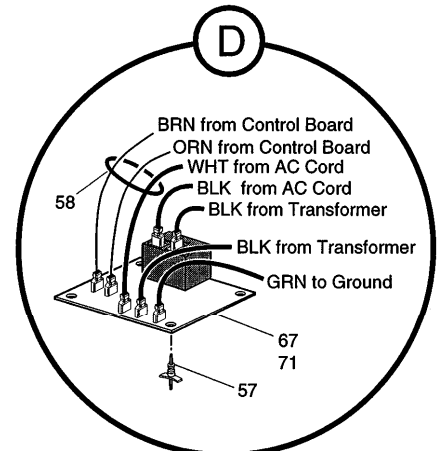
CONTROL BOARD CONNECTIONS



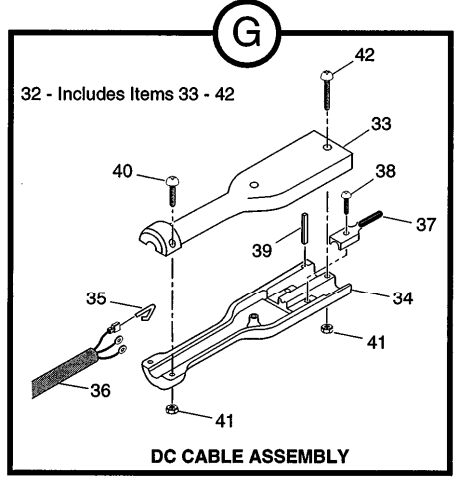
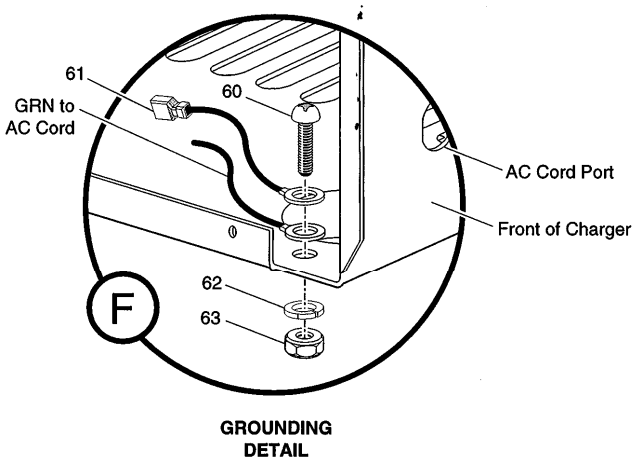
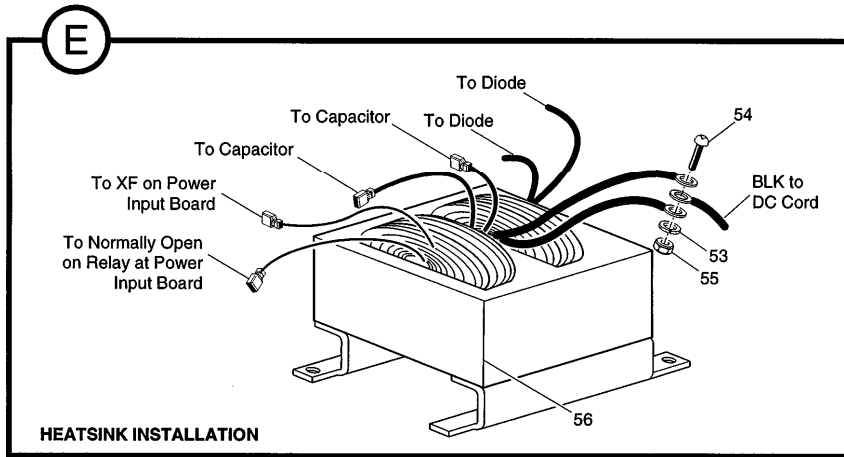
TRANSFORMER LEG INSTALLATION



AMMETER INSTALLATION



POWER INPUT BOARD INSTALLATION



BATTERY CHARGER

Electric Vehicle

THE USE OF NON UL PARTS WILL VOID ANY UL LISTING.

When ordering parts, please specify the model and serial number of the product.

* Indicates a component that is not available as an individual part.

G** Indicates consult Customer Service Department for additional information.

ITEM	PART NO.	1 2 3 4 5	DESCRIPTION	QTY.
1	28115-G01		POWERWISE™ CHARGER (INCLUDES ITEMS 3 - 67)	1
2	28115-G02		POWERWISE™ + CHARGER (INCLUDES ITEMS 3 - 63 AND 69 - 71).....	1
3	*		CHASSIS	1
4	00513-G6		SCREW, #8 - 18 X 1 3/4" LG.	2
5	00559-G4		WASHER, #8	10
6	11572-G3		PLASTIC EXPANSION NUT	2
7	28104-G01		HEAT SINK	1
8	00138-G3		SCREW, #6-32 X 3/8" LG	2
9	00559-G3		WASHER, #6.	2
10	00567-G3		LOCK WASHER, #6.....	2
11	00525-G5		NUT, #6 - 32.....	2
12	18488-G1		DIODE.....	1
13	00565-G7		WASHER, LOCK 1/4.....	2
14	00532-G2		NUT, 1/4 - 28.....	2
15	01005-G01		SCREW, #6 - 19 X 5/16" LG.	3
16	00559-G3		WASHER, #6	3
17	28111-G01		CONTROL BOARD SUPPORT	3
18	28110-G01		ELECTRICAL CLIP	1
19	00614-G4		SCREW, #8 - 18 X 1/2" LG.	6
20	*		COVER	1
21	28102-G01		HANDLE	1
22	28136-G01		LABEL (VENTILATION)	1
23	28136-G02		LABEL (CORD CONDITION).....	1
24	26979-G01		CAPACITOR BRACKET	1
25	28109-G01		CAPACITOR.....	1
26	00969-G01		SCREW, #8 - 32 X 3/8" LG.	3
27	00414-G5		SCREW, 1/4 - 20 X 5/8" LG.	3
28	11027-G2		LOCK NUT, 1/4 - 20	3
29	19388-G4		AC CORD	1
30	13557-G2		STRAIN RELIEF (AC).....	1

THE USE OF NON UL PARTS WILL VOID ANY UL LISTING.

When ordering parts, please specify the model and serial number of the product.

* Indicates a component that is not available as an individual part.

G** Indicates consult Customer Service Department for additional information.

ITEM	PART NO.	1	2	3	4	5	DESCRIPTION	QTY.
31	13557-G3						STRAIN RELIEF (DC)	1
32	28137-G01						DC PLUG ASSEMBLY (INCLUDES ITEMS 33 - 42)	1
33	73051-G11						PLUG (TOP HALF).....	1
34	73051-G12						PLUG (BOTTOM HALF).....	1
35	73051-G13						AUXILARY CONTACT	1
36	28114-G01						DC CORD	1
37	73051-G14						MALE PIN	2
38	73051-G08						BRASS SCREW, #10 - 32 X 1/2" LG.	2
39	73051-G15						MAGNET	1
40	73051-G16						SCREW, #6 - 32 X 1/2" LG. (STAINLESS STEEL)	2
41	73051-G10						LOCK NUT, #6 - 32	4
42	73051-G17						SCREW, #6 - 32 X 1" LG. (STAINLESS STEEL)	2
43								
44								
45	28105-G01						AMMETER.....	1
46	00984-G01						SCREW, #8 - 10 X 1/2" LG.	2
47	00559-G4						WASHER, #8	2
48	01003-G01						BRASS WASHER, #10	4
49	22589-G2						SHOULDER WASHER	1
50	00771-G6						NYLON WASHER.....	1
51	00528-G4						NUT, #10 - 32.....	3
52	28106-G01						50 AMP FUSE	1
53	00565-G5						LOCK WASHER, #10	4
54	00378-G4						SCREW, #10 - 24 X 1/2" LG.	2
55	00526-G3						NUT, #10 - 24.....	2
56	28103-G01						TRANSFORMER.....	1
57	27877-G01						SPACER SUPPORT	4
58	17618-G1						WIRE TIE.....	2
59								
60	00372-G3						SCREW, #8 - 32 X 3/8" LG.	1

BATTERY CHARGER

Electric Vehicle

THE USE OF NON UL PARTS WILL VOID ANY UL LISTING.

When ordering parts, please specify the model and serial number of the product.

* Indicates a component that is not available as an individual part.

G** Indicates consult Customer Service Department for additional information.

ITEM	PART NO.	1	2	3	4	5	DESCRIPTION	QTY.
61	25977-G32						WIRE, 4"	1
62	00565-G4						LOCK WASHER, #8.....	1
63	00526-G1						NUT, #8 - 32.....	1
64								
65	*						LABEL (POWERWISE™)	1
66	28126-G01						CONTROL BOARD (POWERWISE™)	1
67	28126-G03						POWER INPUT BOARD (POWERWISE™)	1
68								
69	*						LABEL (POWERWISE™+)	1
70	28126-G02						CONTROL BOARD (POWERWISE™+)	1
71	28126-G04						POWER INPUT BOARD (POWERWISE™+)	1