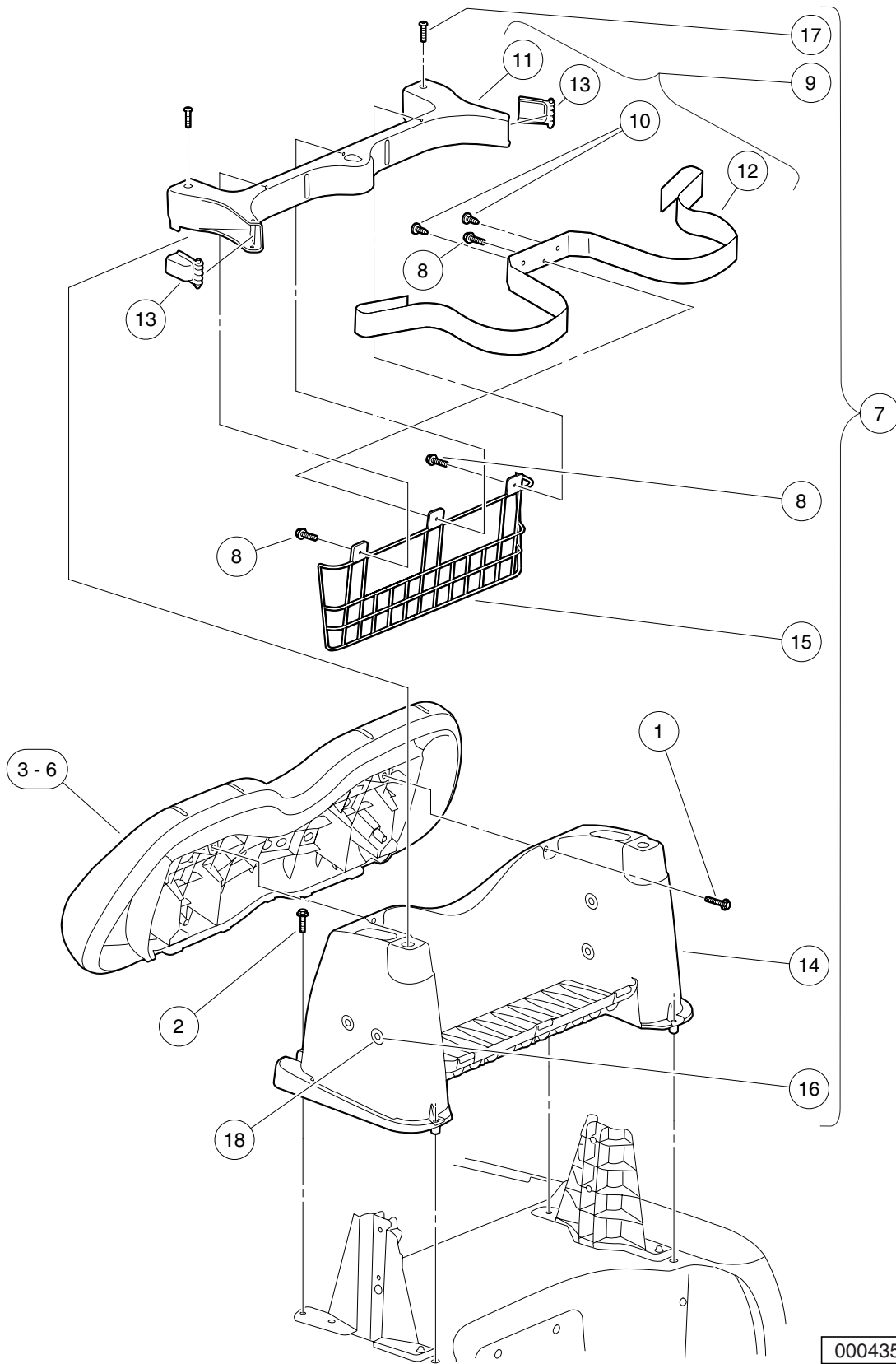


**1**  
**G**  
**E**



000435-001

# BACKREST AND STRUCTURAL ACCESSORY MODULE (SAM)

ITEM	PART NO.	DESCRIPTION	QTY
		1 2 3 4	
1	102296530	Screw - M6 X 1.0 X 30 Sems .....	2
2	102298240	Bolt, Flange Head, M8-1.25 X 40 .....	4
3	102503221	Service Backrest Asm, Beige .....	1
4	102503222	Service Backrest Asm, White .....	1
5	102503224	Service Backrest Asm, Gray .....	1
6	102503225	Service Backrest Asm-black .....	1
7	102503901	Asm-sam (includes items 8 through 17) .....	1
8	102297125	Screw M6-1.0x25.4 Thd Fm Sems .....	3
9	102504001	Asm-bag Hoop (includes items 10 through 13) .....	1
10	1010434	Barrel - Plastic .....	2
11	102504201	Hoop-bag .....	1
12	102504301	Strap, Bag .....	1
13	102517001	Buckle-bag Strap .....	2
14	N/A	Structural Accessory Module .....	1
15	102504501	Panel, SAM .....	1
16	102551701	Insert M6x1.0 .....	4
17	103327601	Screw, 5/16, Torx, Bosscrew .....	2
18	102568701	Barrel - Plastic 6mm .....	8

**1**  
**G**  
**E**