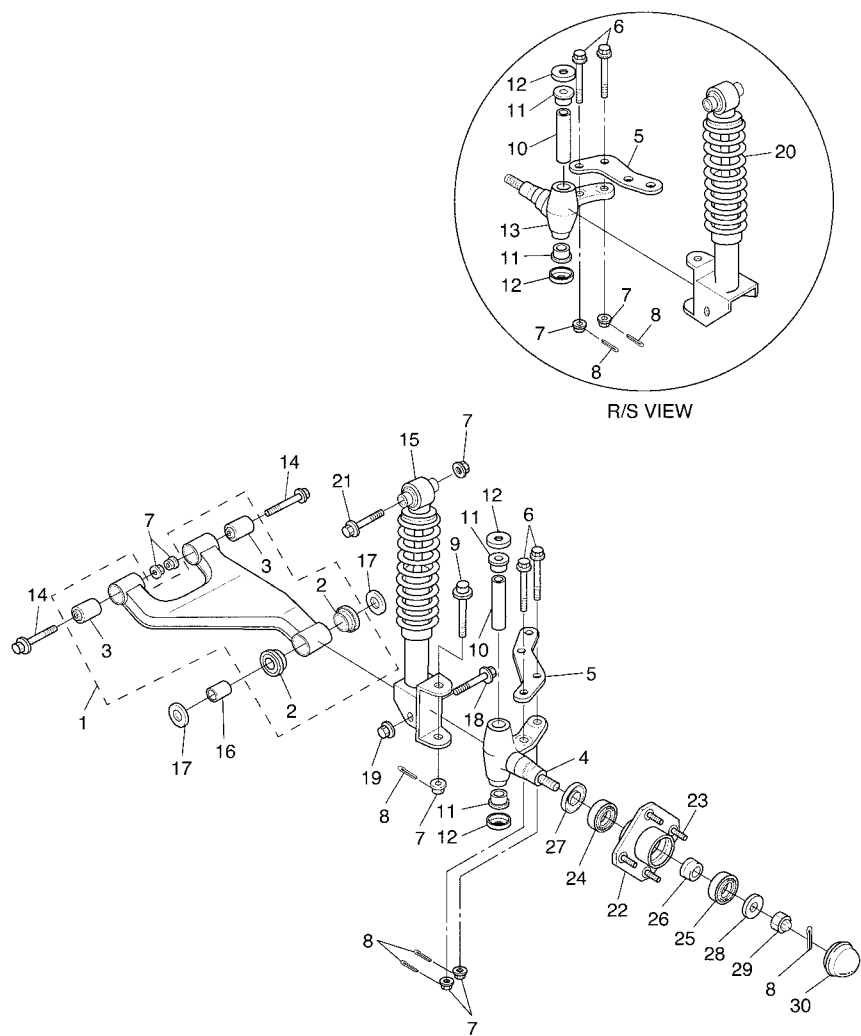


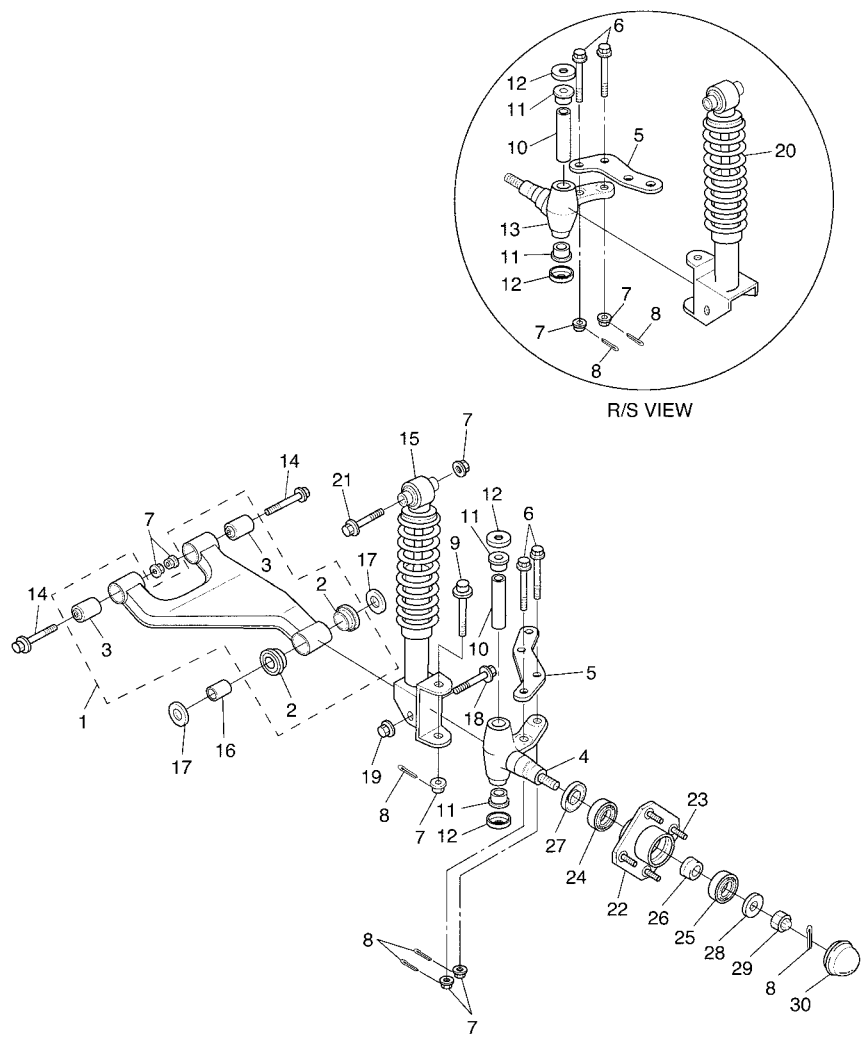
FIG. 13 FRONT SUSPENSION



JW11100-E130

REF. NO.	PART NO.	DESCRIPTION	JW11				REMARKS
1	JU0-F3570-20	FRONT LOWER ARM COMP.	2				
2	90381-18001	.BUSH, SOLID	2				
3	2HR-23526-00	.BUSH	2				
4	JU0-F3511-00	KNUCKLE, STEERING 1	1				
5	JW1-F3512-00	ARM, KNUCKLE 1	2				
6	90105-10728	BOLT, FLANGE	4				
7	95607-10200	NUT, U FLANGE	12				
8	91401-25020	PIN, COTTER	8				
9	90105-10064	BOLT, FLANGE	2				
10	2NL-23448-00	SPACER	2				
11	90381-17067	BUSH, SOLID	4				
12	2NL-23517-00	COVER, THRUST 1	4				
13	JU0-F3521-00	KNUCKLE, STEERING 2	1				
14	90105-10890	BOLT, FLANGE	4				
15	JW1-F3350-00	SHOCK ABSORBER ASSY	1				
16	90387-12016	COLLAR	2				
17	401-22128-01	COVER, THRUST 1	4				
18	95817-12080	BOLT, FLANGE	2				
19	9561P-12100	NUT	2				
20	JW1-F3390-00	SHOCK ABSORBER ASSY 2	1				
21	95807-10065	BOLT, FLANGE	2				
22	JG5-WF511-10	HUB, FRONT	2				
23	90114-12800	BOLT, SERRATION	8				
24	93306-204X0	BEARING	2				
25	93306-005Y3	BEARING	2				
26	90387-241M7	COLLAR	2				
27	93102-30083	OIL SEAL	2				

FIG. 13 FRONT SUSPENSION



JW11100-E130

REF. NO.	PART NO.	DESCRIPTION	JW11				REMARKS
28	90209-32832	WASHER	2				
29	95607-14100	NUT, U	2				
30	JN6-F5118-00	COVER, HUB DUST	2				

