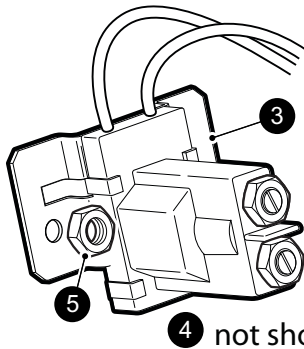
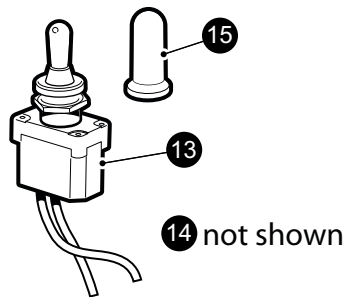


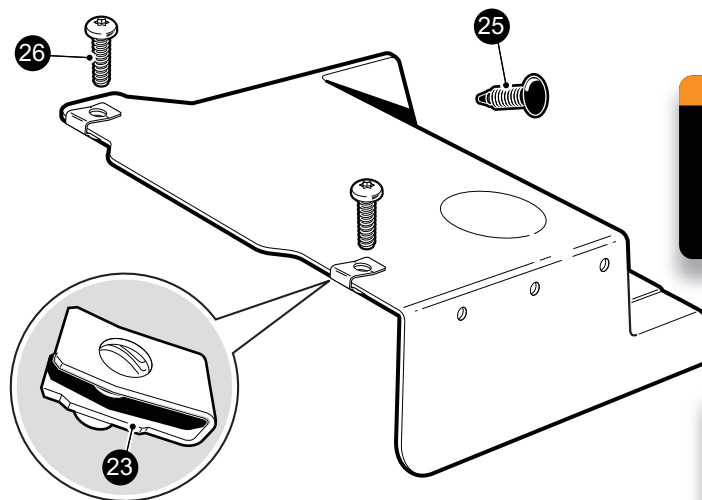
- 1** Main Electrical Harness (not shown)  
(includes items 3, 8, 13, 15 & 18)



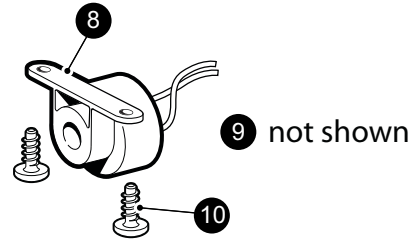
- 2** Solenoid Replacement Kit  
(includes items 3 & 4)



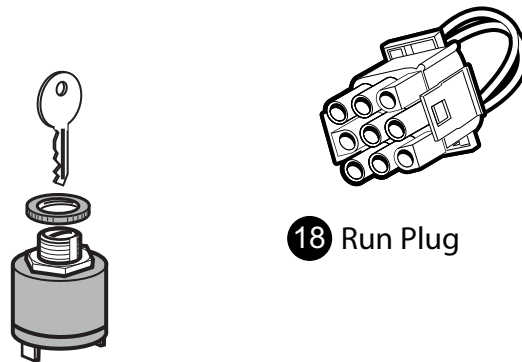
- 12** Run Tow Switch Replacement Kit  
(includes items 13 - 15)



- 21** Controller Splash Shield Assembly  
(includes items 22 & 23)

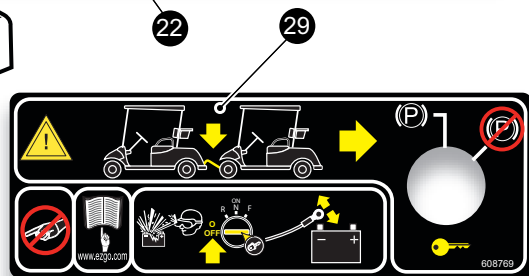
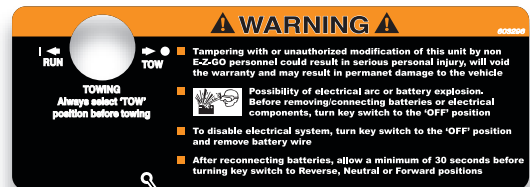


- 7** Reverse Warning Indicator Replacement Kit  
(includes items 8, 9 & 10)



- 18** Run Plug

- 28** CE Run Tow Switch with Key



When ordering parts, please specify the model and serial number of the product.

\* Indicates a component that is not available as an individual part.

\*\*\* Indicates consult Customer Service Department for additional information.

| ITEM | PART NO. | 1 2 3 4 5 | DESCRIPTION   | QTY. |
|------|----------|-----------|---|------|
| 1    | 601969   |           | MAIN ELECTRICAL HARNESS, 48V (includes items 3, 8 , 13, 15 & 18)..... | 1    |
| 2    | 608897   |           | SOLENOID REPLACEMENT KIT (includes items 3 & 4).....                  | 1    |
| 3    | 606971   |           | SOLENOID.....   | 1    |
| 4    | 608896   |           | WATERPROOF BUTT SPLICE.....   | 2    |
| 5    | 601476   |           | LOCK NUT, M6 - 1 .....  | 2    |
| 6    |          |           |   |      |
| 7    | 608899   |           | REVERSE WARNING INDICATOR REPLACEMENT KIT (inc items 8 - 10)          | 1    |
| 8    | 608882   |           | REVERSE WARNING INDICATOR .....                                       | 1    |
| 9    | 608896   |           | WATERPROOF BUTT SPLICE.....   | 2    |
| 10   | 01051-G1 |           | PAN HEAD PHILLIPS SCREW, #8 - 16.....                                 | 2    |
| 11   |          |           |   |      |
| 12   | 608900   |           | RUN/TOW SWITCH REPLACEMENT KIT (includes items 13 - 15) .....         | 1    |
| 13   | 606980   |           | RUN TOW SWITCH.....   | 1    |
| 14   | 608896   |           | WATERPROOF BUTT SPLICE.....   | 2    |
| 15   | 605969   |           | RUBBER BOOT .....   | 1    |
| 16   |          |           |   |      |
| 17   |          |           |   |      |
| 18   | 608039   |           | RUN PLUG .....  | 1    |
| 19   |          |           |   |      |
| 20   |          |           |   |      |
| 21   | 605965   |           | CONTROLLER SPLASH SHIELD ASSEMBLY (includes items 22 & 23).....       | 1    |
| 22   | 603296   |           | RUN/TOW WARNING DECAL .....   | 1    |
| 23   | 602409   |           | BARREL CLIP, M6 - 1 .....   | 2    |
| 24   |          |           |   |      |
| 25   | 16816-G1 |           | CHRISTMAS TREE RIVET.....   | 1    |
| 26   | 601326   |           | BUTTON HEAD TORX BOLT, M6-1 X 20 .....                                | 2    |
| 27   |          |           |   |      |
| 28   | 608810   |           | CE RUN TOW SWITCH WITH KEY .....                                      | 1    |
| 29   | 608769   |           | CE RUN/TOW WARNING DECAL.....   | 1    |
| 30   |          |           |   |      |
| 31   |          |           |   |      |