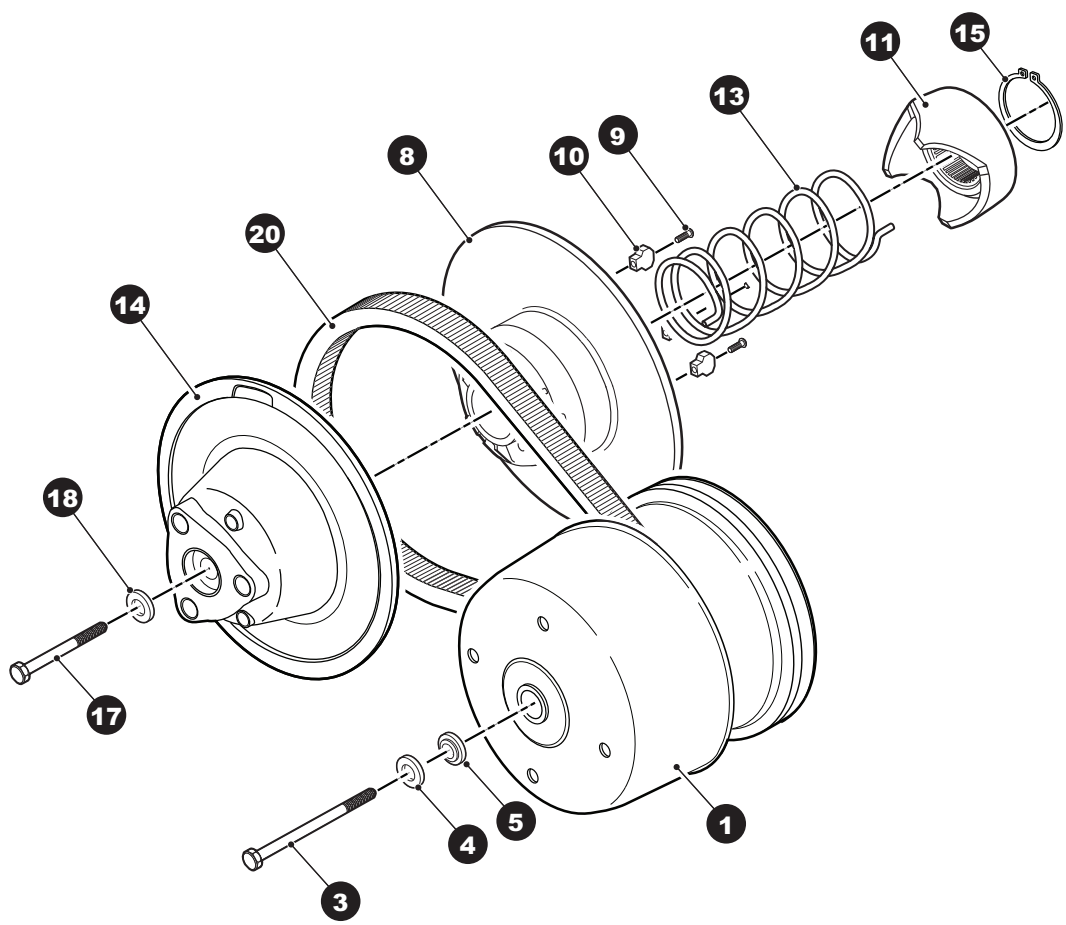


CLUTCH

7 - Includes items 8 - 15



Where applicable, THE USE OF NON UL PARTS WILL VOID ANY UL LISTING.
 When ordering parts, please specify the model and serial number of the product.
 * Indicates a component that is not available as an individual part.
 G** Indicates consult Customer Service Department for additional information.

ITEM	PART NO.	1 2 3 4 5	DESCRIPTION	QTY.
1	602000		DRIVE CLUTCH	1
2				
3	606245		BOLT, M12 - 1.25 X 160MM LG	1
4	606239		WASHER, M12.....	1
5	606230		WASHER.....	1
6				
7	602001		DRIVEN CLUTCH ASSEMBLY (INCLUDES ITEMS 8 - 15)	1
8	*		MOVABLE SHEAVE	1
9	608210		SCREW, M4 X 25.....	3
10	608204		RAMP BUTTON	3
11	*		CAM.....	1
12				
13	608209		COMPRESSION SPRING	1
14	*		SHEAVE AND POST	1
15	608211		HEAVY DUTY RETAINING RING	1
16				
17	606243		BOLT, M12 - 1.25 X 120MM LG	1
18	606239		WASHER, M12.....	1
19				
20	606136		DRIVE BELT.....	1