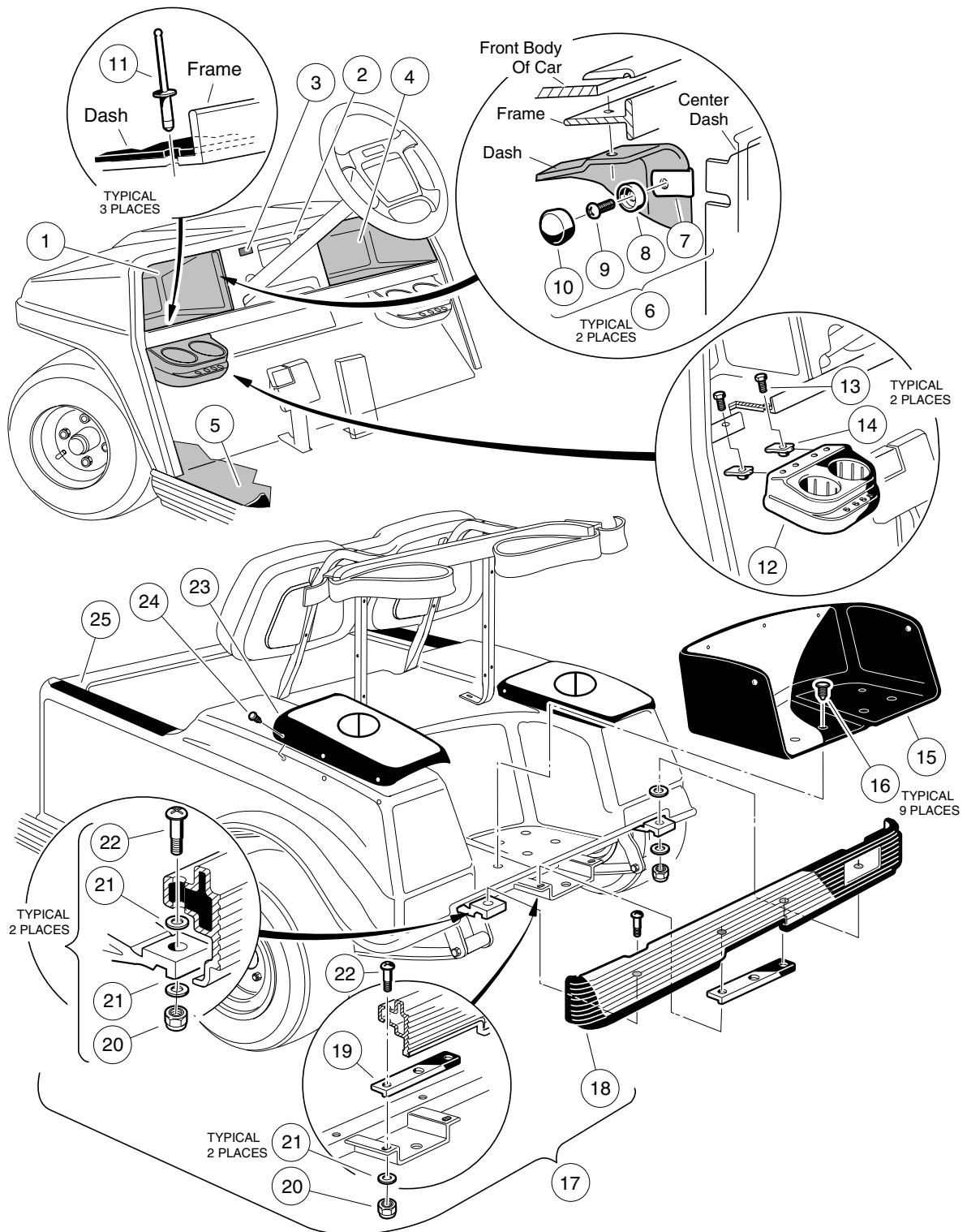


**1**  
**G**  
**E**



# BODY TRIM

ITEM	PART NO.	DESCRIPTION	QTY GAS	QTY ELEC
		1 2 3 4		
1	1013344	Component, Driver-Side Dash, Black .....	1	1
2	101660404	Panel, Center Dash, Black .....	1	1
3	101802601	Plug, Hole (V-Glide 36-Volt vehicle only) .....		1
4	1013343	Component, Passenger-Side Dash, Black .....	1	1
5	1015032	Mat, Floor .....	1	1
6	1014645	Kit, Snap Washer, Black (includes items 7 - 10) .....	2	2
7	1011019	Nut, Speed .....	1	1
8	1011382	Washer, #10 .....	1	1
9	1620	Screw, #10 Sheet Metal .....	1	1
10	1013494	Cover, Screw Head .....	1	1
11	7973	Rivet, Aluminum Pop, 3/16 .....	3	3
12	101708301	Kit, Drink Holder (includes items 13 and 14) .....	2	2
13	7847	Screw, Hex-Head Cap, 1/4-20 x 3/4 .....	2	2
14	1016952	U-Nut, 1/4-20 .....	2	2
15	101768202	Kit, Bagwell Protector (includes item 16) .....	1	1
16	1010434	Fastener, Plastic Barrel .....	9	9
17	1017079	Kit, Rear Bumper (includes items 18 - 22) .....	1	1
18	1016379	Bumper, Rear .....	1	1
19	1016875	Plate, Mounting, Long .....	1	1
20	7473	Nut, Nylon Lock, 5/16-18 .....	4	4
21	1011697	Washer, Special, 5/16 .....	6	6
22	1016876	Bolt, Phillips Truss-Head Shoulder, 3/8-18 x 2 .....	4	4
23	101706702	Kit, Scuff Guard (includes item 24) .....	1	1
24	1010434	Fastener, Plastic Barrel .....	12	12
25	102221201	Pad, Wear .....	2	2

**1**  
**G**  
**E**