

FIG. 14 STEERING

REF. NO.	PART NO.	DESCRIPTION	JW11				REMARKS
1	JW1-F3811-00	COLUMN, STEERING	1				
2	9581P-08016	BOLT, FLANGE	4				
3	JU0-F3857-10	HOLDER	1				
4	JU0-F3828-00	ROD, STEERING	1				
5	JN3-F3814-00	HOLDER, HANDLE UPPER	1				
6	JN3-F3838-00	WHEEL, STEERING	1				
7	90185-12061	NUT, SELF-LOCKING	1				
8	9290P-12200	WASHER	1				
9	95607-12200	NUT, SELF-LOCKING	2				
10	91401-25020	PIN, COTTER	2				
11	JW1-F3400-00	STEERING ASSY	1				
12	JW1-F387A-00	.GEAR, PINION	1				
13	JW1-F3183-00	.CIRCLIP	1				
14	JW1-F339Y-00	.BEARING	1				
15	JW1-F387E-00	.GEAR, RACK	1				
16	5UG-F387G-00	.COVER, ADJUST	1				
17	5UG-F387K-00	.SPRING, PRESSURE	1				
18	5UG-F387F-00	.PAD, PRESSURE	1				
19	5UG-F387J-00	.RING, STOPPER	1				
20	5UG-F3844-00	.SEAL	1				
21	5UG-F3489-00	.BAND	2				
22	5UG-F3527-00	.SEAL, DUST 1	2				
23	JW1-F3837-00	.ROD, TIE 2	2				
24	JW1-F467K-00	.BUSH, CAP	1				
25	JW1-F3866-00	.GEAR SUB-ASSY, 2	1				
26	JW1-F3894-00	.WASHER, LOCK 1	2				
27	4XE-F3833-00	NUT 1	2				



JW11100-E140

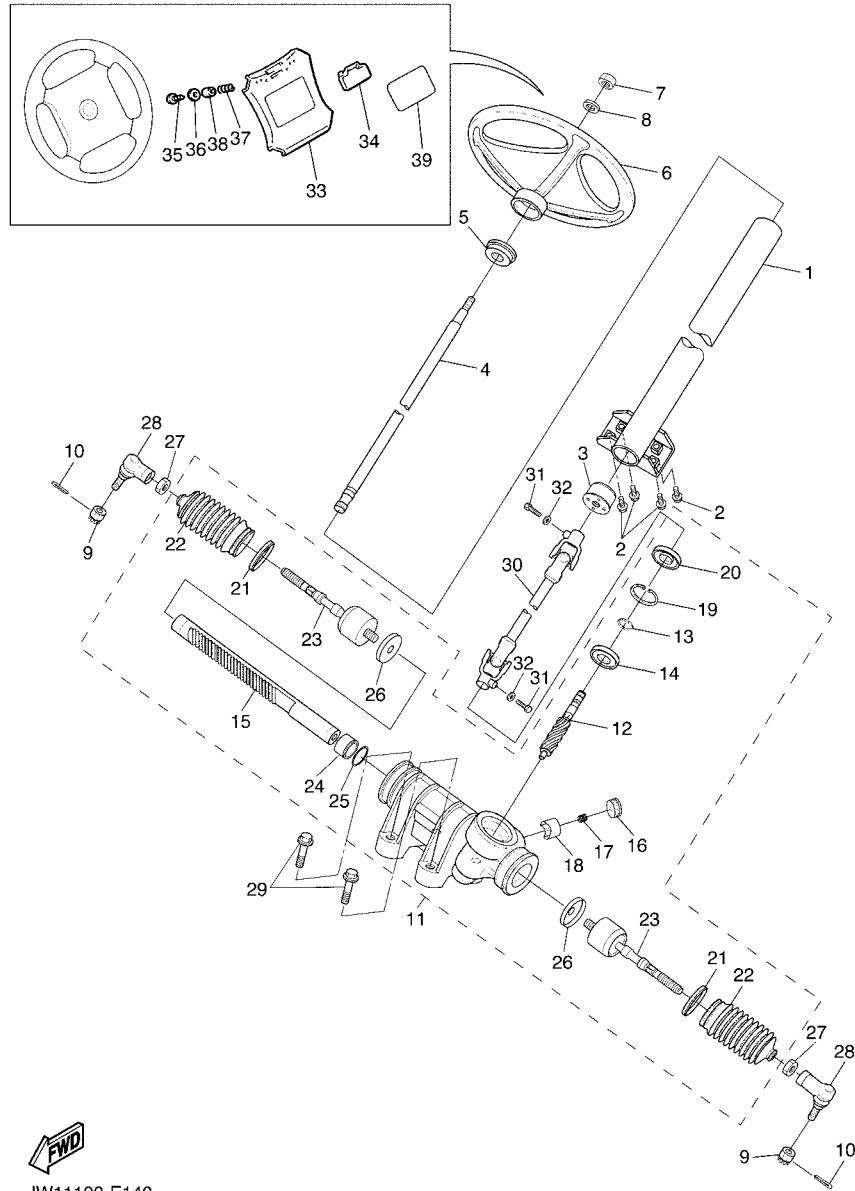


FIG. 14 STEERING

REF. NO.	PART NO.	DESCRIPTION	JW11				REMARKS
28	JU0-F3841-00	JOINT, UNIVERSAL 1	2				
29	90105-10810	BOLT, FLANGE	4				
30	JW1-F3822-00	JOINT 1	1				
31	97017-08030	BOLT	2				
32	92907-08600	WASHER, PLATE	2				
33	JN3-K8357-00	HOLDER 1	1				
34	JN6-K8358-01	HOLDER 2	1				
35	97707-40525	SCREW, TAPPING	2				
36	90201-048R5	WASHER, PLATE	2				
37	90502-10013	SPRING, CONICAL	2				
38	90387-046N7	COLLAR	2				
39	JU0-K7762-00	LABEL, WARNING 2 (E)	1				FOR USA,CAN,JPN
	JU0-K7762-10	LABEL, WARNING 2 (E,F)	1				FOR OTHERS
	JU0-K7762-20	LABEL, WARNING 2 (G,S)	1				FOR OTHERS



JW11100-E140