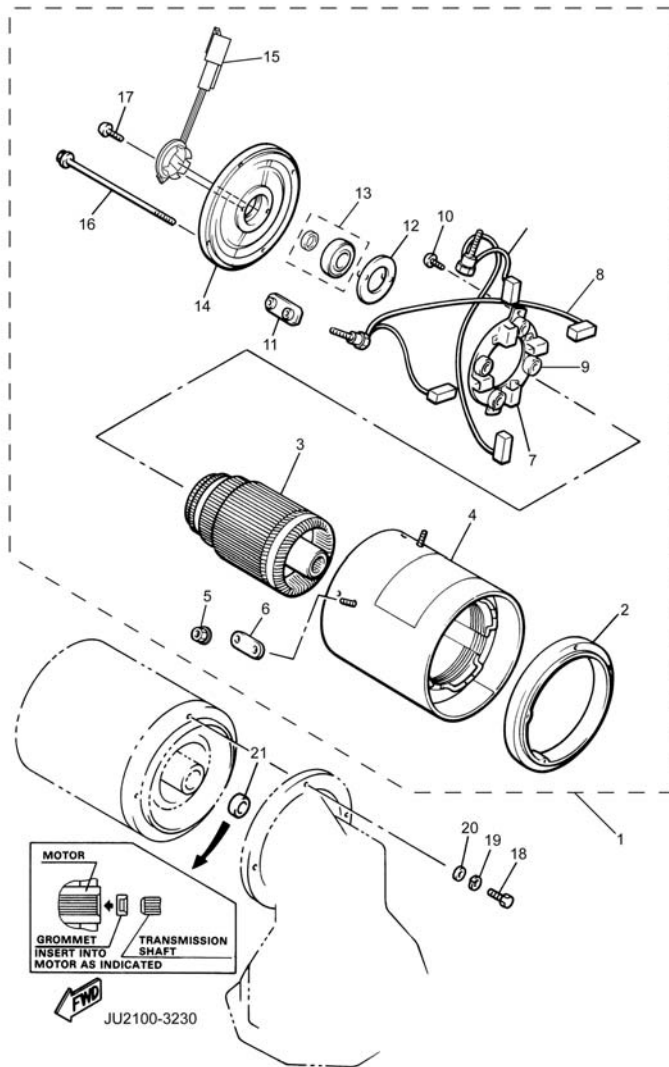


FIG. 17 ELECTRIC MOTOR



REF NO.	PART NUMBER	DESCRIPTION	QTY	REMARKS
1	JU2-H1890-00-00	MOTOR ASSY.	1	
2	JH7-H183J-00-00	.BRACKET, FRONT	1	
3	JU2-H1850-00-00	.ARMATURE ASSY	1	
4	JU2-H1160-00-00	.FIELD COIL ASSY	1	
5	JH7-H1872-00-00	.NUT, SPECIAL	4	
6	JR1-H1843-00-00	.WASHER, 1	2	
7	JU2-H1840-00-00	.BRUSH HOLDER ASSY.	1	
8	JU2-H1801-00-00	.BRUSH SET	1	
9	JU2-H1617-00-00	.SPRG., BRUSH	1	
10	JH7-H1848-00-00	.SCREW, BRUSH HOLDER	2	
11	JG6-H1824-00-00	.WASHER 2	2	
12	JH7-H1856-10-00	.RETAINER	1	
13	JU2-H185B-00-00	.BEARING 1	1	
14	JU2-H1822-00-00	.BRACKET, ELECTRIC	1	
15	JU2-H1670-00-00	.PICK-UP ASSY	1	
16	JR1-H1828-00-00	.BOLT 2	4	
17	JH7-H1846-00-00	.SCREW, 1	2	
18	90101-06857-00	BOLT	3	
19	90215-06811-00	WASHER, TONGUED	3	
20	90201-068E2-00	WASHER, PLATE	2	
21	JH7-H1829-00-00	GROMMET	1	